

DAVID EDWARD

2010 LIBRARY PRICE LIST



Table of Contents

General Information	1
Environmental Statement	2
Wood Finishes	4
Conditions of Sale	5
Design Drawing Options	7
Electrical Options	9
Stern Athenaeum Carrel	10
Stern Athenaeum Table	13
Stern Athenaeum Chair	16
Stern Athenaeum End Panel	19
Stern Bibliotheque Carrel	21
Stern Bibliotheque Table	24
Stern Bibliotheque Chair	27
Stern Bibliotheque End Panel	30
CMSU Carrel	32
CMSU Table	37
Fayette Carrel	41
Fayette Table	46
Suffolk Carrel	50
Suffolk Table	55
Universal Carrel	59
Universal Table	64
Universal End Panel (Style A)	71
Universal End Panel (Style B)	73

General Information

Construction

Our furniture is designed and engineered for use in high density public areas. Kiln dried hardwood frames which embody mortise and tenon, double dowel and corner block construction are produced in our vertically integrated facilities. Most of our fully upholstered pieces employ eight way hand-tied coil spring construction and all furniture is pre-upholstered in muslin or dacron. Exposed woods feature a catalyzed finish which is resistant to scratches, cigarette burns and most chemicals. All woods are hand rubbed. Dimensions are approximate and may vary depending on cover used. If a unit must fit within a specific space, please so advise on your purchase order. Arm heights given are at the front of the arm. Exact construction specifications of each individual design are available on request.

Custom Design and Standardization-Capability

We are delighted to compete in design standardization programs or on major custom design projects. We have three professional furniture designers on staff supported by in-house drafting, computer aided design, engineering and prototyping. Our product designers are available to visit your offices to collaborate in the design of new products or to customize our own products to your specific requirements. As we manufacture our entire product line in-house, we can respond quickly, often within standard lead time.



Studio David Edward

Studio David Edward is a separate 3,000 square foot department within the David Edward Headquarters plant in Baltimore. This unique facility is devoted to the creation and development of all new designs for both the David Edward standard product line and for the company's clients whose projects require custom elements.

The studio employs three product designers and several CAD operators, and includes product engineering and seating capabilities. It also contains an extensive reference library of historical furniture designs, a database of custom and current seating designs, seating

standards, requirements for the handicapped, commercially available furniture parts and design periodicals from around the world.

Among a variety of tools, the studio's designers can now use a computer-generated, three-dimensional modeling software program to view and alter a new design from all perspectives before the first prototype is manufactured.

Studio David Edward, a testament to the company's enduring dedication to and investment in good design and the needs of the interior design community.

1407 PARKER ROAD
BALTIMORE, MD 21227
P. 410.242.2222
F. 410.242.0111
WWW.DAVIDEDWARD.COM
INFO@DAVIDEDWARD.COM

Environmental Statement

David Edward has a long standing legacy of environmental stewardship. For greater than forty years our family's concern has been to practice conservation and sustainability while producing environmentally friendly furniture. Decades before the Green Wave, our tradition of minimizing waste and employing natural materials were in place. Our in-house Industrial Design studio has dedicated years to researching environmental issues, exploring cutting edge solutions, and testing sustainable materials; resulting in our ability to produce low VOC, sustainable furniture that also meets David Edward's high quality standards.

To achieve this, David Edward incorporates anachronistic upholstery methods that do not rely upon glue adhesives, but rather encourages perpetual re-use, as the product is easily reupholstered. We also employ a semi-water-proof, solvent and formaldehyde free, PVA based glue for all of our core materials. Our non-toxic processes ensure that the product off-gasses minimally, yet lasts beautifully in tough, high-traffic commercial settings. All-natural latex foam, jute webbing, Lawrence McFadden formaldehyde-free stains, water-based gloss, Medite, and locally harvested FSC Certified wood are among the many Green materials used in our custom seating designs.



PLEASE HELP US UTILIZE THE WORLD'S MOST ENVIRONMENTALLY FRIENDLY RESOURCE: WOOD.
(renewable, recyclable, biodegradable, energy efficient, non-toxic, no off-gassing, beautiful)

World Wildlife Fund Headquarters

Benchmarking



For an update on our green initiatives, which continually evolve, please contact info@davidedward.com as every day that passes is another moment to better our world around us.

-The Pitts Family

Our belief is that it is necessary to be environmental stewards in every meaning of the word. We not only promote minimal off-gassing using natural materials, but we also strive to minimize or eliminate our waste and emissions through material reuse and recycling. Wood scraps are used as fuel in which to heat the entire plant throughout winter, while leather remnants are saved and sent to a handbag manufacturer. Foam surplus is bundled and sent to a flooring company for underlay. To cut down on cardboard waste, we ship our furniture packed in reusable blankets, and have implemented a plant-wide cardboard, paper, and aluminum can recycle program.

With all of the misinformation and contradiction in the media, it is often difficult to make informed decisions regarding Green design specifications. To aide our customers, David Edward utilizes the vertically integrated company structure to maintain complete and documented supervision of environmental specifications, as all of our products are fully produced at our facilities in Baltimore and Red Lion, PA, making our product regional to the Washington DC and New York markets. In addition, we constantly encourage our designers and suppliers to seek out new solutions that will support our (as well as our customer's) environmental principles. As a benchmark project, we are proud to be selected to supply the new furniture for the World Wildlife Fund Headquarters in Washington D.C., designed by Envision Design.

Wood Finishes

Standard Wood Finishes

We feature solid Black Cherry and Northern Hard Maple wood species in 19 standard wood finishes listed below and sampled in the Data section of our catalog. Maple and Cherry woods are filled although some pore and texture is intended to show. These catalyzed finishes are resistant to scratches, cigarette burns and most chemicals. All Cherry wood finishes are cross matched on Maple wood. Macassar is a black stain, revealing grain structure; Ebony is solid black, revealing no grain.

If a design is standard in Cherry wood and you wish to have it manufactured in Maple wood (or vice versa), simply specify the alternative wood specie and add a flat cutting fee of \$829 Net on your order.

Cherry Wood Finishes

Finish	Number
Clear Satin on Cherry*	20-A
Clear Satin on Bleached Cherry*	(Add 10%) 20-B
Light Cherry on Cherry	21
Medium Cherry on Cherry	22
Mahogany on Cherry	24
Ebony on Cherry	25
Macassar on Cherry	26
Walnut on Cherry	27
Oak on Cherry	29
Custom Finish on Cherry	200
Maple Wood Finishes	

Finish	Number
Clear Satin on Maple*	40-A
Clear Satin on Bleached Maple*	(Add 10%) 40-B
Light Cherry on Maple	41
Medium Cherry on Maple	42
Mahogany on Maple	44
Ebony on Maple	45
Macassar on Maple	46
Walnut on Maple	47
Light Maple on Maple	48
Oak on Maple	49
Custom Finish on Maple	400

*Clear finishes on Maple or Cherry are non-colored. Therefore, natural variation in wood tone and grain will be present. There will be variations in color within the product and from product to product. The actual finish may vary from the sample that has been submitted. A signed disclaimer is required from the customer at the time the order is placed.

Polyester Finish

The clear polyester finish is an extremely durable finish with an enhanced resistance to wear and scratching. It exhibits a depth and a high gloss sheen far superior to conventional varnish or lacquer. The performance is achieved by applying three coats of polyester with a specifically designed two-part finishing application system. The polyester is prepared in small batches using a cobalt catalyst with the poly. Two coats of urethane are then applied after a wet sanding of the polyester. The high gloss finish requires additional steps of wet sanding, and an all important waxing and buffing process.

Pricing

The polyester process involves several significant cost increases, including specialized equipment, a closed booth, expensive materials, additional labor, and hazardous waste.

The following surcharges should be applied:

1. David Edward Standard tables — add 18% to the list price.
2. Custom Product — add \$24.00

list per square foot of surface area.

Scope

The polyester product will only be available on flat table surfaces. The bases will not be included.

Please contact customer service for samples.

Custom Finishes

When an order is specified in a custom color that has been previously formulated, approved, and a counter sample is not required, there will be a \$22.00 Net upcharge per unit. If David Edward has to formulate a new finish and or submit a counter sample for approval, there will be a one time charge of \$250 Net, plus \$22.00 Net upcharge per unit.

Please submit a sample of the custom finish with the order.

\$250.00 for custom formula
\$22.00 net per unit

Wood Samples

Since no two trees are exactly alike and different pieces of wood take stain differently, some variation between samples and finished goods should be anticipated. Moreover, as color chart samples are necessarily inexact, larger solid wood samples of specific standard finishes are available on request at no charge. If the finish on an order is to match a previous order, please indicate on your order.

Tables

All table parts are solid hardwood except for veneer inlays on table tops, as indicated. These inlays are of the same wood as the solid parts and are straight grain with the grain parallel to the long dimension unless otherwise noted. Some tables are also available with optional reverse diamond inlay tops where finish color will vary due to differing grain directions. See price list under each series for pricing. Laminate inlays are also available, inquire from factory for pricing. All table series are available in custom sizes depending on variation and quantity. Inquire from factory for pricing. Tables are shipped set up complete unless KD shipment is noted. Table price list indicates where a table series was designed for use with a particular seating design. Available finishes are the same for tables and seating. Note: if dimensions in price list differ from those on catalog pages the price list is correct. Table prices are at the end of the price list.

Custom Conference Tables and Reception Desks

Solid wood, wood veneer and laminate conference tables, architectural wood work or custom case goods are available on request. Contact customer service for design, development and pricing information.

Conditions of Sale

Prices

Prices are list, FOB origin at our plant in either Baltimore, Maryland 21227 or Red Lion, Pennsylvania 17356. Prices are subject to change without notice.

Terms

Terms are net 20 for open accounts. After-20 days, a 1½% per month overdue surcharge is added and strictly enforced. Failure to pay this additional charge automatically places an account on a-Cash Before Delivery (CBD) or proforma basis for future transactions. For accounts not open, a fifty percent deposit upon order and CBD shipment will be required. To open an account, we require our standard credit application completed; credit evaluation can be made only by our Baltimore office. Orders are not processed until credit is approved or a 50% deposit is received.

Order Acknowledgement

Acknowledgement will be made for each order and indicates final production specifications. Buyer should check acknowledgement to be sure that all order details are correct. Orders will not be acknowledged or entered for production until all specification information is complete (see Check List-for Ordering). Accepted orders are subject to the terms and conditions set forth herein and on our acknowledgement, notwithstanding any variance in terms and conditions set forth on buyer's order form.

We are not responsible for delays beyond our control and will ship when merchandise is ready, invoicing as of that date. If buyer cannot accept, warehousing charges will be imposed. Partial shipments may be made and invoices covering these shipments are to be paid as they fall due. CBD shipments not paid for within 5 days of notification will incur warehousing charges plus our standard 1½% per month overdue surcharge.

Warehousing

Extra Options

Multiple fabric application
Provide grommets in table tops 2" black plastic

List Cost

add 5%
add \$35 list for plastic
\$55 List For Metal

Wood Species- Maple, Plain Sawn Solids & Plain Sliced Veneer-credit of 3%

Wood Species- Red Oak, Plain Sawn Solids & Quartered Veneer-add 4%

Wood Species- Red Oak, Rift Sawn Solids & Quartered Veneers-add 6%

Wood Species- Walnut, Rift Sawn Solids & Veneers-add 8% (components > 1.75" thick, will require a glue joint)

Wood Species- Oak Rift, Sawn Solids & Veneers-add 8% (components > 1.75" thick, will require a glue joint)

Wood Species- White Oak, Rift Sawn Solids & Veneers--add 10% (components > 1.75" thick, will require a glue joint)

As production space is at a premium, orders will be shipped when completed. On orders which cannot be shipped, furniture will be invoiced and a warehousing charge will accrue 14 days upon completion and be levied according to the following schedule:

Tables, Carrels, End Panels, Chairs

1% of net invoice price per week by product line item.

Note: If you have requested an extended written delivery date at the time the order was placed, warehousing charges will commence after that date.

Cancellations, Changes and Returns

Must be requested in writing from our Baltimore office and are not allowed without factory consent. Authorized returns are subject to our shipping instructions. Changes are subject to our ability to comply and cancellations where production has begun will incur a charge of 10% or more, depending upon state of production. Custom items may not be cancelled. Table orders normally cannot be cancelled as veneers and laminate tops are ordered immediately.

Note: A \$50 net administrative cost will apply for any cancelled order.

Shipping

Shipping options depend upon size of order, destination and whether the product is cartoned or blanket wrapped. Local shipments (VA, MD, DC, DE, NJ, PA, New York City, and on larger orders, well beyond) are often shipped in our own trucks blanket wrapped. For larger orders we will, on request, provide freight quotes and options. In the absence of specific instructions we will ship freight prepaid by what is in our opinion the best way. Prepaid freight shipments which go forward by factory selected carriers frequently enable us to extend a freight discount. A list of these carriers which service a particular area is available on request. We are not responsible for delays beyond our control and will ship when merchandise is ready, invoicing as of that date. If buyer cannot accept, warehousing charges will be imposed. Partial shipments may be made and invoices covering these shipments are to be paid as they fall due. CBD shipments not paid for within 5 days of notification will incur warehousing charges plus our standard 1½% per month overdue surcharge.

Guaranteed freight (GF) does not apply to blanket freight orders.

Assemble of KD shipped orders may be required on site. Assemble costs are not included in freight costs but are separately priced.

Freight Damage and Claims

All items must pass through final inspection before being released to a transportation company which assumes responsibility for goods at that time. Products are shipped FOB origin and, once in transit, title passes to buyer who is responsible for resolving any transit related issue. Therefore, if shipment is received damaged, buyer must both file a claim and look to carrier for adjustment and our invoice in all its conditions falls due as rendered. The following suggestions may assist buyers in handling freight claims:

In the event of obvious damage, note damage on both copies of the freight bill and ask the driver to sign both copies.

Note any excessive wear, damage or handling marks on cartons, especially if cartons appear to have been dropped, and follow written instructions on shock watch labels on cartons.

Report concealed damage to carrier as quickly as possible.

Request that the carrier send an inspector immediately.

Retain all cartons and packing materials.

Do not move the damaged goods to a new location (another floor or part of the warehouse).

Read an inspection report carefully and sign it only if it is accurate and fair.

Discrepancies not due to transit damage must be reported to our Baltimore office at once.

Warranty

David Edward warrants its standard catalog products to be free from defects in material and workmanship under normal single shift service for a period of four years from date of shipment.

During this period David Edward, at its option, will replace, repair locally, repair at its factory or return the purchase price of any merchandise that, upon inspection by David Edward, is deemed to be defective. The foregoing constitutes the sole and exclusive remedy to the customer. In no event shall David Edward be responsible for dealer handling costs, rental of replacement furniture, unauthorized repair by others, nor liable for any consequential or incidental damages. David Edward shall not be liable for damages or injuries to persons or property, nor for the replacement of the entire commercial unit, if repair or replacement of defective parts can reasonably render the unit conforming.

Damages resulting from freight, claimed or unclaimed, from accident, alteration, tampering, misuse, negligence or abuse voids this warranty. Neither does this warranty apply to damage from normal wear and tear such as dents, nicks, scratches, and improper maintenance. That is David Edward's warranty is only valid if products are given proper use and care. David Edward assumes no responsibility for product damages resulting from improper installation or user modification. This warranty specifically excludes fabrics, leathers, vinyls and other textile materials.

All returns for inspection, repair, or replacement must be authorized in writing and shipped prepaid by an authorized carrier.

All other warranties, expressed or implied, are excluded.

Design Rights

Designs shown in David Edward catalogs and literature are, and remain, the property of David Edward who reserves the exclusive right to manufacture them. Any reproduction of these designs constitutes an infringement of David Edward's rights and will incur prosecution. David Edward reserves the right to make changes in price, dimensions and/or construction without prior notice.

Studio David Edward Shop Drawing Options

Rev. 11.02.04

A Design Sketch

Hand drawn, not to scale, with title and description of design concept
 Provided as a 8.5 x 11 hard copy and e-mailable JPEG image (file size under 1mb)
 Sketch number provided with title block for reference

1-2 day lead time - Contact factory for applicable charge



B Photo Rendering

Photoshop manipulated image, not to scale, with title and description of design concept
 Provided as 8.5 x 11 hard copy and e-mailable JPEG image (file size under 1mb)
 Sketch number provided with title block for reference

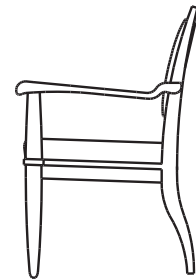
1-2 day lead time - Contact factory for applicable charge



C Line Art

Three views to scale, including plan, side and front elevations
 No hidden lines or interior construction
 Basic overall dimensions for Height, Width and Depth
 Provided as EPS or DWG file format

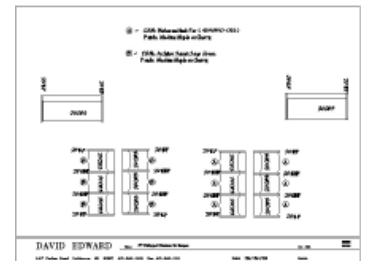
1-2 day lead time if existing or previously modeled - No charge
3-10 day lead time if not previously modeled, contact factory for pricing.



D Tandem Drawing

David Edward to be provided with basic information and initial layout from client
 for tandem project
 2D Plan view only- AutoCAD generated to scale
 Provided as 8.5 x 11 hard copy of your project with a corresponding component list.

2-3 days lead time - No Charge

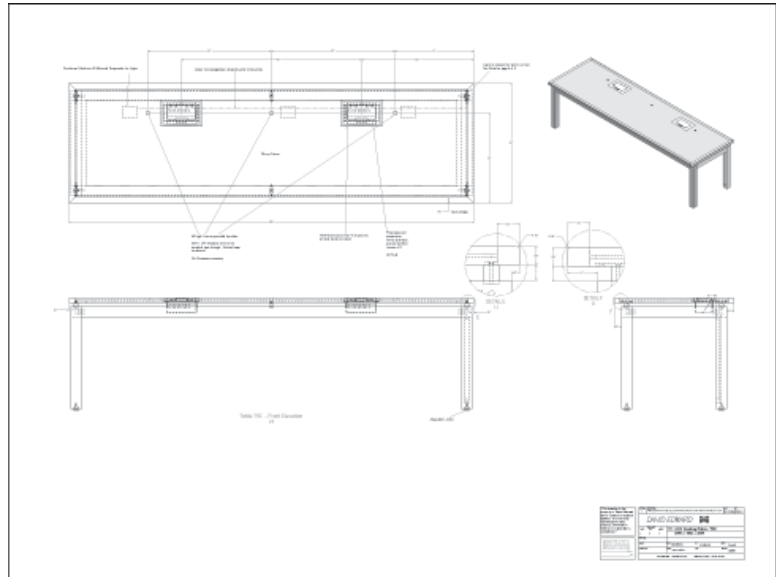


E Basic Drawing

May or may not require 3-dimensional solid model
 A minimum of three full-scale views including plan, side and front elevations
 Isometric gray-scale (if modeled in Solid Edge)
 Drawing number provided with title block for reference
 Provided as (2) sets of 36" x 48" hard copy

1-2 day lead time (if drawings exist) - \$75 charge
2 week lead time (if new model and drawing need to be generated)

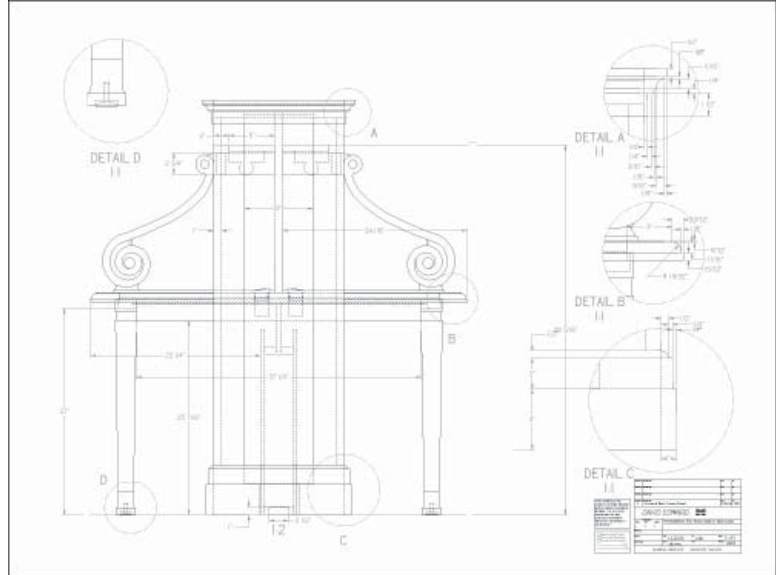
Contact factory for pricing - Price range (\$300 - \$600)



F Full-scale Detailed Shop Drawing

Requires 3-dimensional solid model to generate a minimum of three full-scale views including plan, side and front elevations
 Includes Color or Grayscale isometric view
 All dimensions and details needed for prototype including interior construction details
 Internal David Edward product drawings include individual parts and assemblies.
 Drawing number provided with title block for reference
 This option includes B and C

3 day lead time (if drawings exist) - \$75 charge
3 week lead time (if new model and drawing need to be generated)
Contact factory for pricing - Price range (\$300 - \$600)



Electrical Options

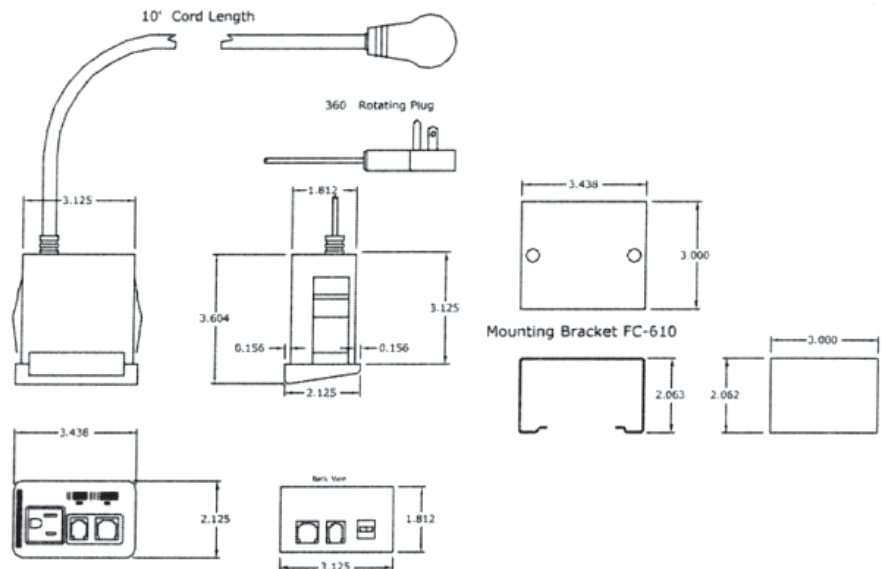
DExbox

Designed especially for convenience when using your laptop computer, the DExbox is a state-of-the-art user-friendly electrical cordset and surge protector. The DExbox is perfect for use in desks or workstations where you need fast and easy access to connect your laptop computer to both power and data/phone connections.

Using the DExbox allows you to conserve the battery of your laptop. The unit mounts in a 3-3/4" x 1-7/8" cutout or with an optional mounting bracket. Installation is simple: the unit is held in place by side spring clips. The unique front finger grip (pull out) allows for easy removal and access.

The DExbox has a dark charcoal, textured, non-glare finish and features one electrical receptacle, one RJ11 telephone jack, one RJ45 data jack, 416 joules of surge protection, ground indicator light, surge

indicator light, and a 10 foot 16-3 power cord with a 1/2 inch low profile 360 degree rotating wall hugging plug. The unit is rated at 13 AMPs and is UL and cUL listed.



ATHENAEUM STUDY CARREL

Study Carrel comes with or without shelf and in single, back-to-back, side-to-side and quad versions

Wood base frame supporting work surface

Solid wood edge with optional work surfaces of laminate, veneer, MDF, Marmoleum, or Corian surface

Wire management is designed within the carrels.

Wood species : Built in Cherry, solids and veneers

Contact factory for pricing in other species

Dataport: DExbox (1)powerport of 110 volt outlet/ (1) RJ45 (data connector) and (1) RJ11 (voice connector) per workstation, located in back corner.

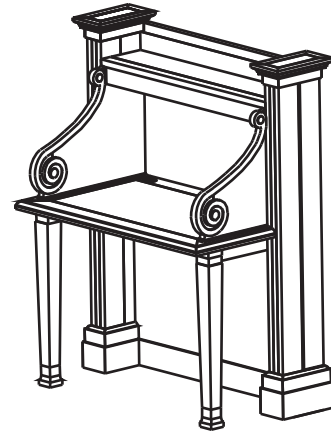
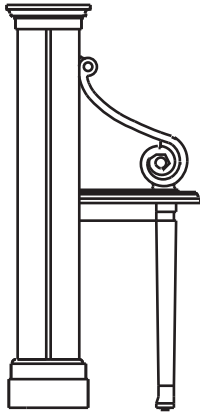
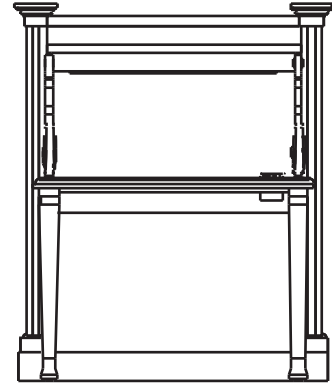
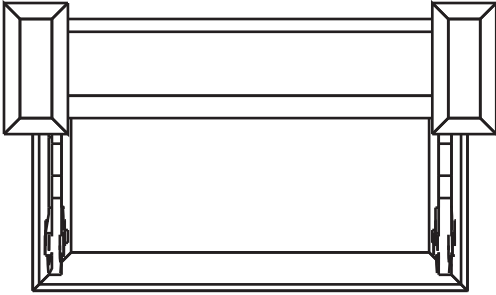
Light : Under shelf fluorescent tube.

Custom lighting and finishes available

	BASE PRICE				OPTIONS ADD TO BASE PRICE		
	LIST PRICE 1	LIST PRICE 2-5	LIST PRICE 6-15	LIST PRICE 15+	LIGHTING LIST PRICE	POWER/DATA DExbox LIST PRICE	MARMOLEUM WORK SURFACE LIST PRICE
Single Carrel (1 work station)	5,547	4,993	4,714	4,438	205	88 (1)	444
Side-by-Side Carrel (2 work stations)	9,985	8,651	8,487	7,988	410	176 (2)	888
Back-to-Back Carrel (2 work stations)	9,985	8,651	8,487	7,988	410	176 (2)	888
Quad Carrel (4 work stations)	16,760	16,140	15,243	14,347	820	352 (4)	1,776

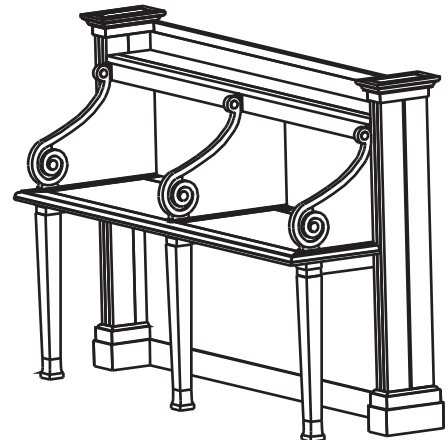
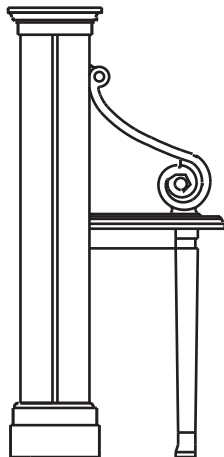
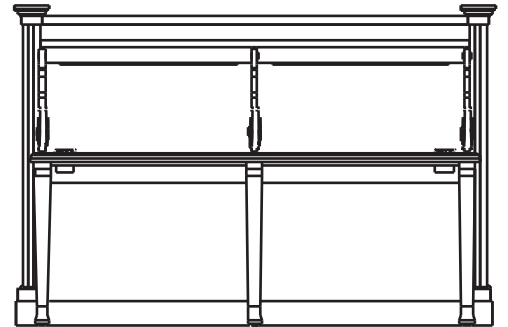
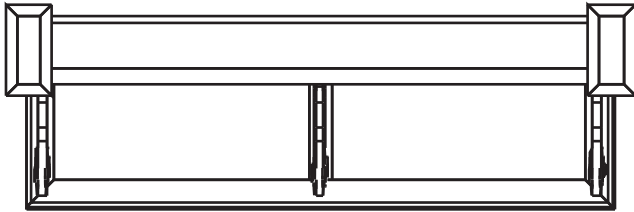
ATHENAEUM SINGLE CARREL

D26.75", W44.75", H54.25"
WORK SURFACE HEIGHT 29"



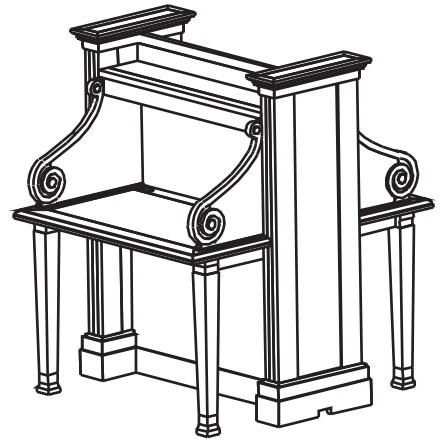
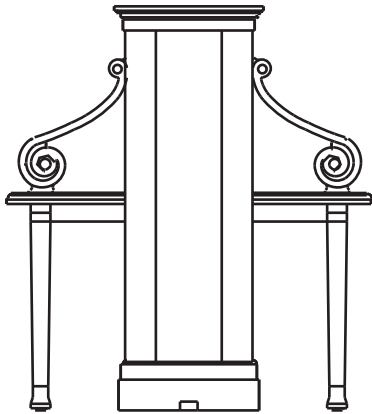
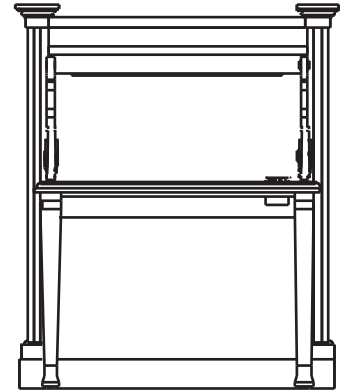
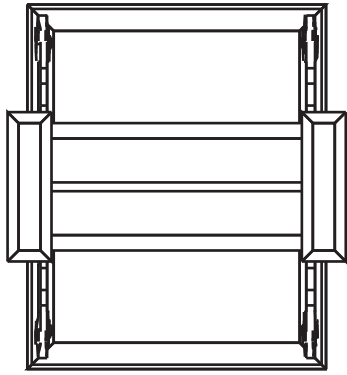
ATHENAEUM SIDE-BY-SIDE CARREL

D26.75", W81.75", H54.25"
WORK SURFACE HEIGHT 29"



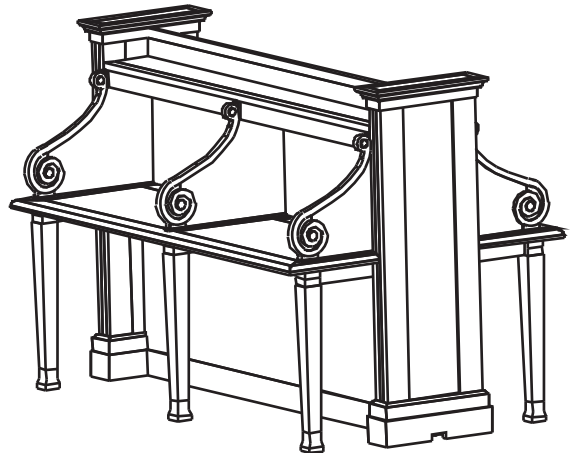
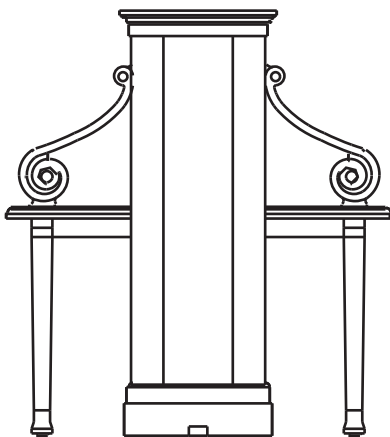
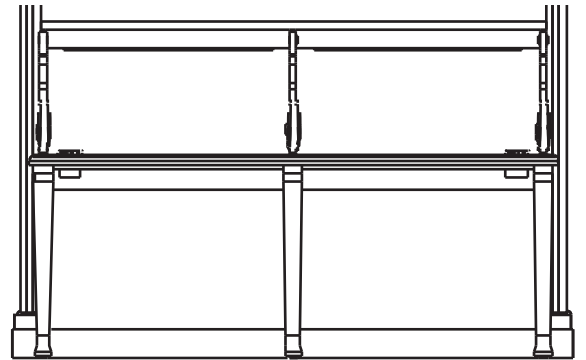
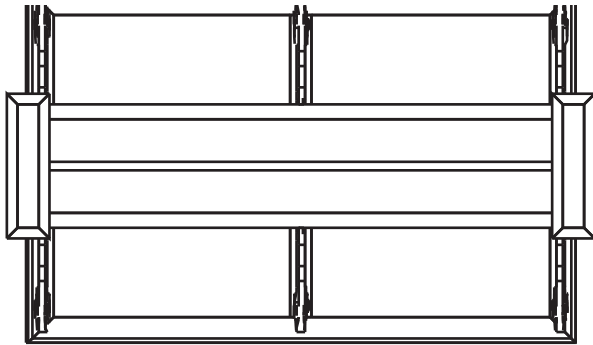
ATHENAEUM BACK-TO-BACK CARREL

D49.25", W44.75", H54.25"
WORK SURFACE HEIGHT 29"



ATHENAEUM QUAD CARREL

D49.25", W81.75", H54.25"
WORK SURFACE HEIGHT 29"



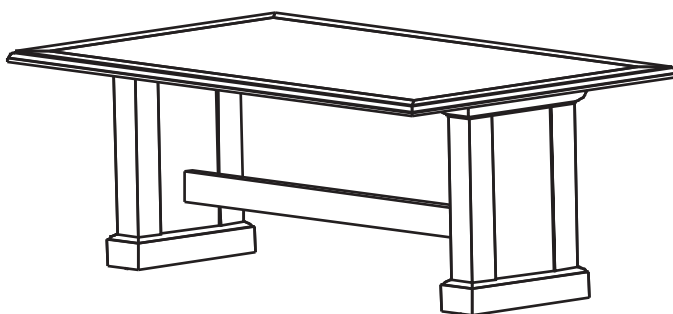
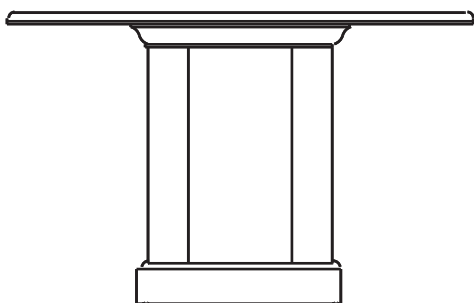
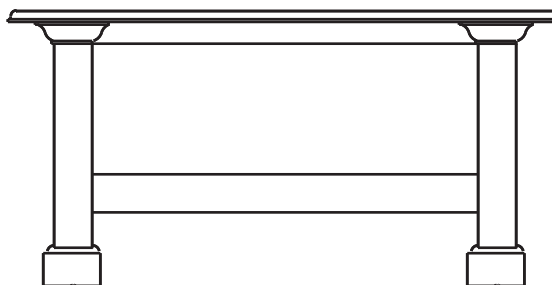
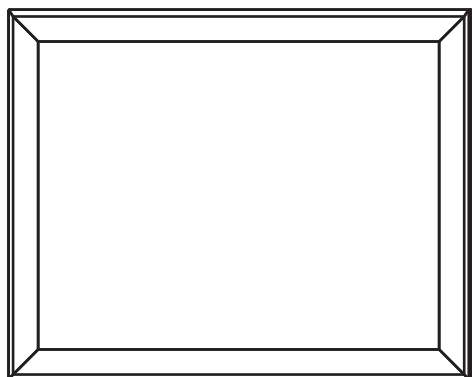
ATHENAEUM READING TABLE

Reading table with solid plinth base.
 Wood base frame supported by cross beam. Channeled to facilitate wire management
 Solid wood edge with optional work surfaces of laminate, veneer, MDF, Marmoleum or Corian surface
 Wood species : Built in Cherry solids and veneers
 Contact factory for pricing in other species
 Dataport: DExbox optional
 Baldinger Lighting has corresponding light fixtures.

PRICING IS QUANTITY BASED	BASE PRICE				OPTIONS ADD TO BASE PRICE		
	LIST PRICE 1	LIST PRICE 2-5	LIST PRICE 6-15	LIST PRICE 15+	LIGHTING LIST PRICE	POWER/DATA DExbox LIST PRICE	MARMOLEUM WORK SURFACE LIST PRICE
Reading Table-Wood Work Surface (4 person)	4,832	4,349	4,108	3,866	N/A	88 (1)	637
Reading Table-Wood Work Surface (6 person)	6,136	5,523	5,215	4,908	N/A	176 (2)	637
Reading Table-Wood Work Surface (8 person)	8,698	7,827	7,394	6,958	N/A	264 (3)	880

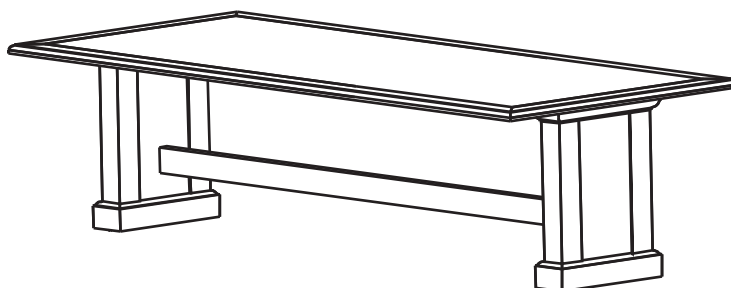
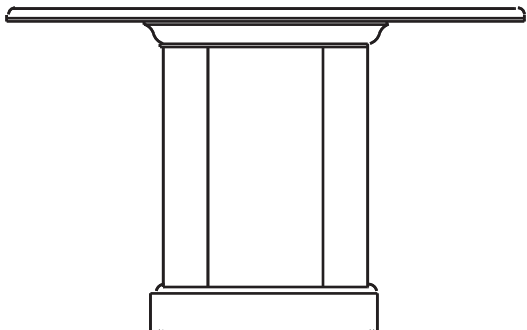
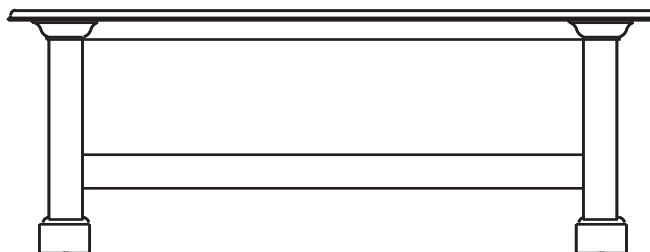
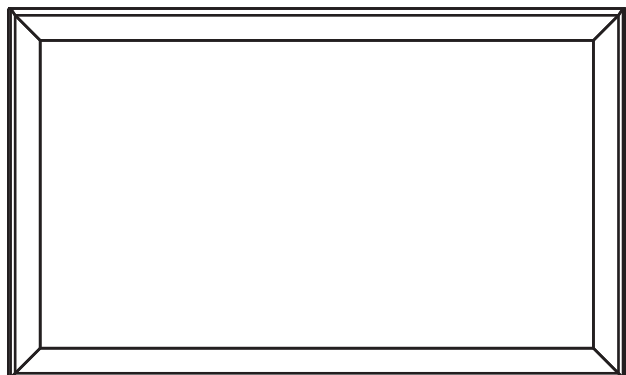
ATHENAEUM 4 PERSON READING TABLE

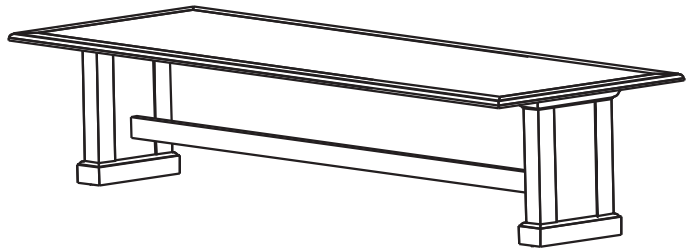
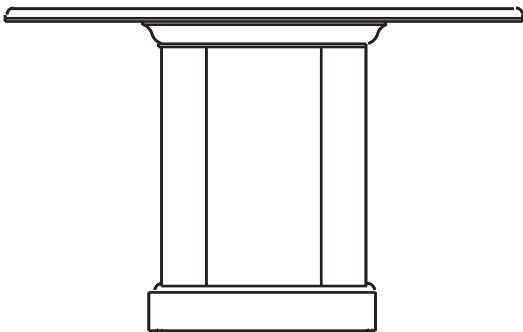
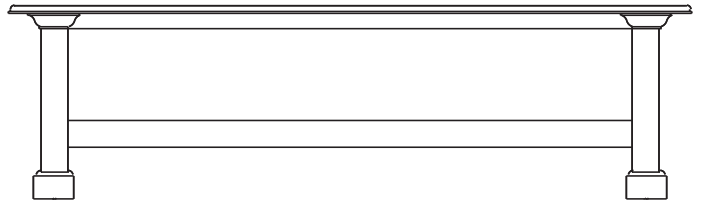
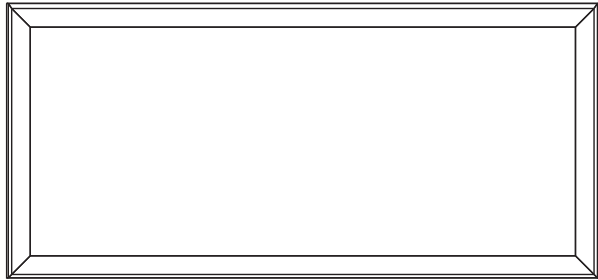
D48", W60", H30"



ATHENAEUM 6 PERSON READING TABLE

D48", W80", H30"





ATHENAEUM STUDY CHAIR

Wood frame with mortise-tenon construction and a catalyzed protective wood finish.
 Wood species : Built in solid Cherry
 Contact factory for pricing in other species
 Options include jury mounted base

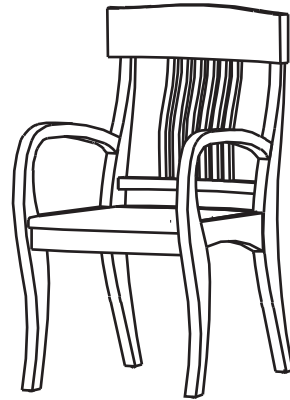
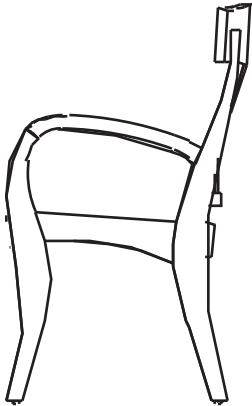
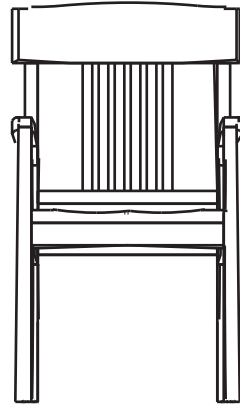
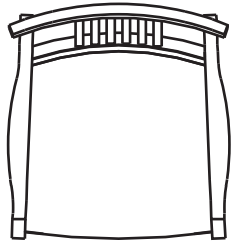
	BASE PRICE				OPTIONS ADD TO BASE PRICE		
	LIST PRICE 1	LIST PRICE 2-5	LIST PRICE 6-15	LIST PRICE 15+	LIGHTING LIST PRICE	POWER/DATA DEbox LIST PRICE	MARMOLEUM WORK SURFACE LIST PRICE
Arm Chair (upholstered seat) (com= 3/4 yd)	1,224	1,102	1,040	979	N/A	N/A	N/A
Arm Chair (Solid Wood Seat)	1,330	1,197	1,130	1,064	N/A	N/A	N/A
Armless Chair (upholstered seat) (com= 3/4 yd)	1,124	1,011	956	899	N/A	N/A	N/A
Armless Chair (Solid Wood Seat)	1,229	1,108	1,039	983	N/A	N/A	N/A

Veneer, laminate or MDF work surface options available at standard base price

Above options must be added to base price if desired

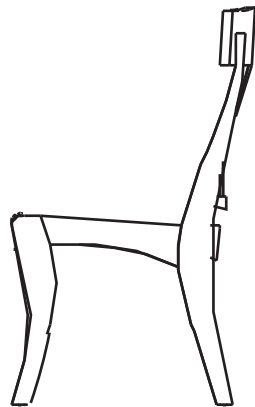
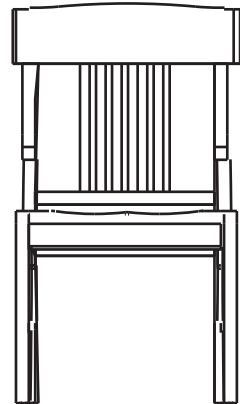
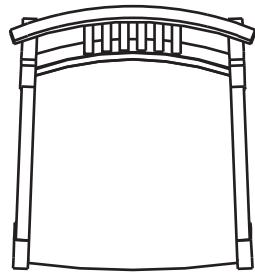
ATHENAEUM ARM CHAIR

D22.5, W 21.25, H36.75, SH17.75, AH 26.5, SD18



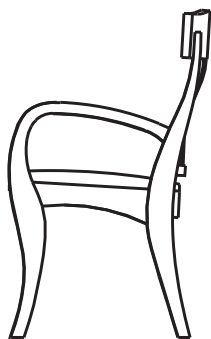
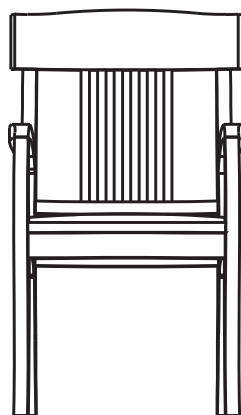
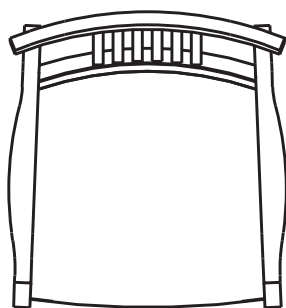
ATHENAEUM ARMLESS CHAIR

D22.5, W21.25, H36.75, SH17.75, SD18



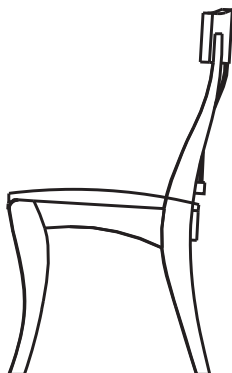
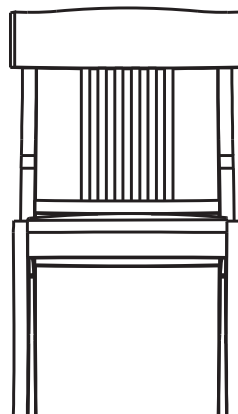
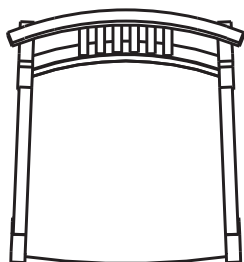
ATHENAEUM UPHOLSTERED ARM CHAIR

D22.5, W21.25, H36.75, SH17.75, AH26.5,
SD18.75



ATHENAEUM UPHOLSTERED ARMLESS CHAIR

D22.5, W 21.25, H36.75, SH17.75, SD18.75



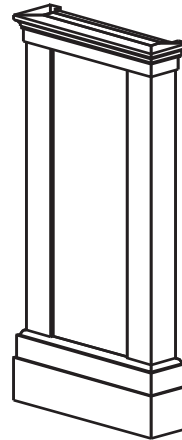
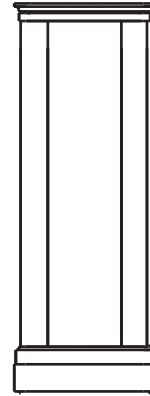
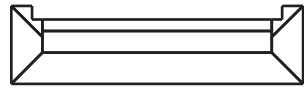
ATHENAEUM END PANEL

Single 13”
Double 26”

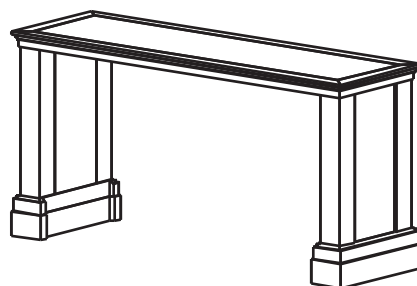
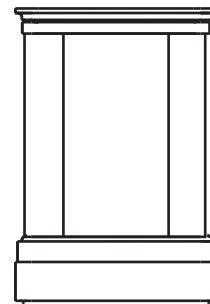
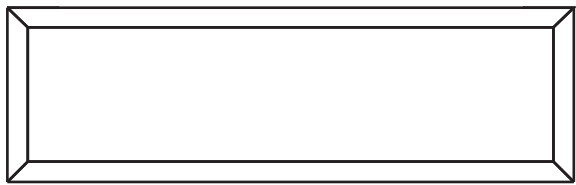
End panel of solid wood edges with veneer inset
Wood species : Built in Cherry, solids and veneers
Contact factory for pricing in other species
Custom Option: slat wall, signage
Modifications for specific metal shelving, contact factory for pricing.

		BASE PRICE				OPTIONS ADD TO BASE PRICE		
PRICING IS QUANTITY BASED	HEIGHT	LIST PRICE 1	LIST PRICE 2-5	LIST PRICE 6-15	LIST PRICE 15+	LIGHTING LIST PRICE	POWER/DATA DEbox LIST PRICE	MARMOLEUM WORK SURFACE LIST PRICE
End Panel	72”	1,130	1,018	961	892	N/A	N/A	N/A
(single)	66”	1,002	962	908	855	N/A	N/A	N/A
	42”	929	837	790	946	N/A	N/A	N/A
	38”	896	807	761	717	N/A	N/A	N/A
End Panel	88”	1,341	1,207	1,140	1,073	N/A	N/A	N/A
(double)	72”	1,280	1,151	1,088	1,024	N/A	N/A	N/A
	66”	1,219	1,097	1,036	975	N/A	N/A	N/A
	42”	1,158	1,041	941	926	N/A	N/A	N/A
	38”	1,113	1,002	946	890	N/A	N/A	N/A
Canopy Top W26”		162	146	139	130	N/A	N/A	N/A
(per lineal foot)								
Canopy Top W13”		134	120	113	107	N/A	N/A	N/A
(per lineal foot)								

ATHENAEUM END PANEL



ATHENAEUM END PANEL WITH CANOPY



BIBLIOTHEQUE STUDY CARREL

Study Carrel comes with shelf and in single, back-to-back, side-to-side and quad versions
 Work surface solid wood edge with optional work surfaces of laminate, veneer, MDF, Marmoleum, or Corian surface
 Wood species : Built in Maple, solids and veneers
 Contact factory for pricing in other species
 Dataport: DExbox (1) powerport of 110 volt outlet/ (1) RJ45 (data connector) and (1) RJ11 (voice connector) per workstation.
 Custom lighting and finishes available
 Light: Under shelf, fluorescent.
 Metal foot: brushed aluminum
 Optional colors, contact factory
 Extruded base molding is black. Optional colors contact factory.

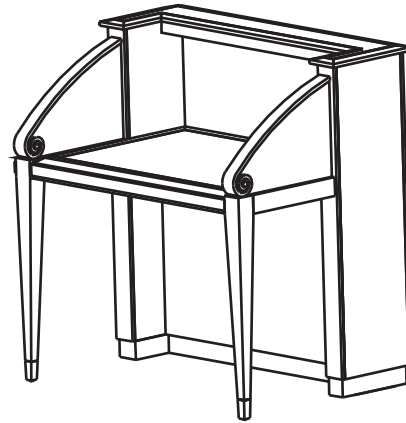
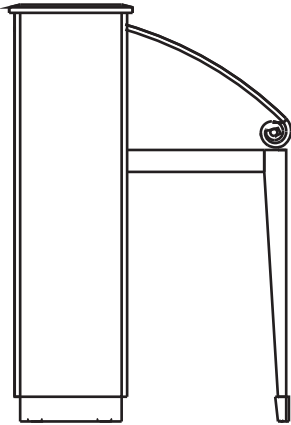
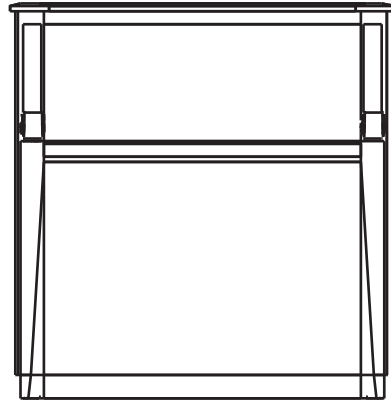
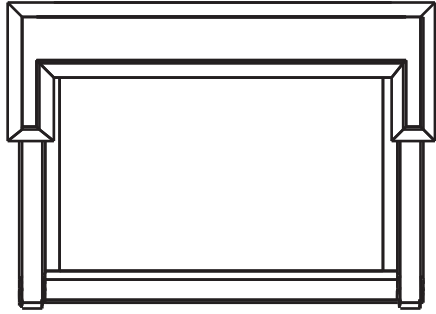
PRICING IS QUANTITY BASED	BASE PRICE				OPTIONS ADD TO BASE PRICE		
	LIST PRICE 1	LIST PRICE 2-5	LIST PRICE 6-15	LIST PRICE 15+	LIGHTING LIST PRICE	POWER/DATA DExbox LIST PRICE	MARMOLEUM WORK SURFACE LIST PRICE
Single Carrel (1 work station)	5,427	4,885	4,613	4,342	205	88 (1)	N/A
Side-by-Side Carrel (2 work stations)	9,771	8,794	8,305	7,817	410	176 (2)	N/A
Back-to-Back Carrel (2 work stations)	9,771	8,794	8,305	7,817	410	176 (2)	N/A
Quad Carrel (4 work stations)	17,637	15,873	14,992	14,109	768	352 (4)	N/A

Veneer, laminate or MDF work surface options available at standard base price

Above options must be added to base price if desired

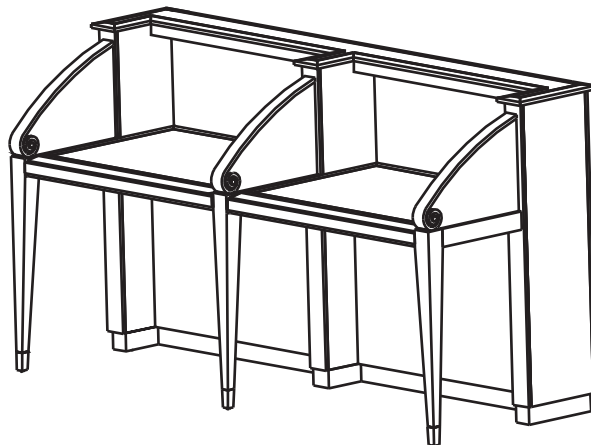
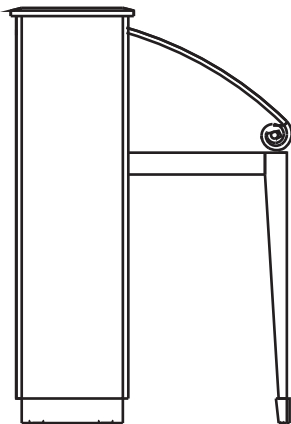
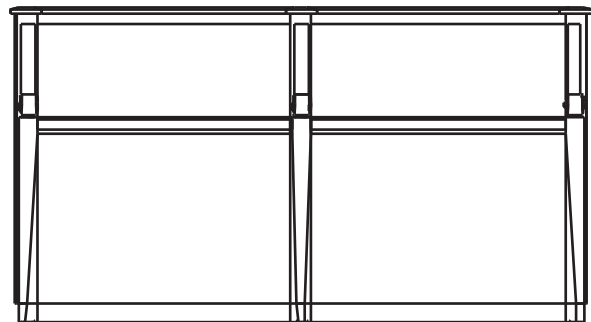
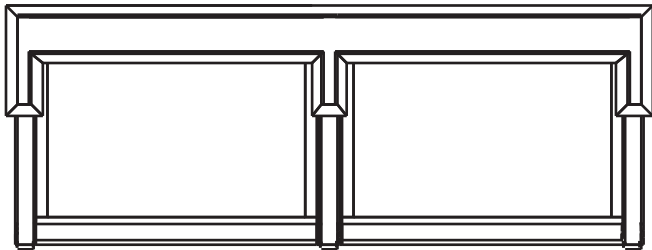
BIBLIOTHEQUE SINGLE CARREL

D30.75", W43.75", H45"
WORK SURFACE HEIGHT 29.5"



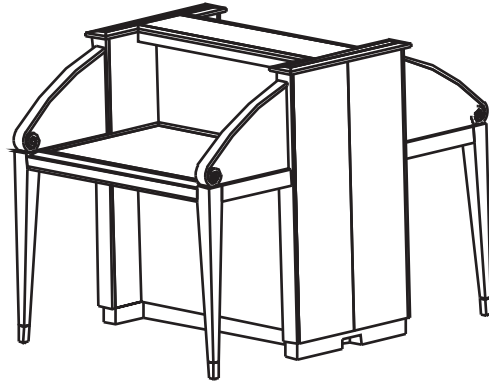
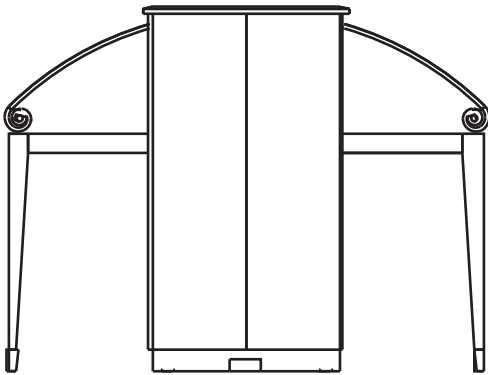
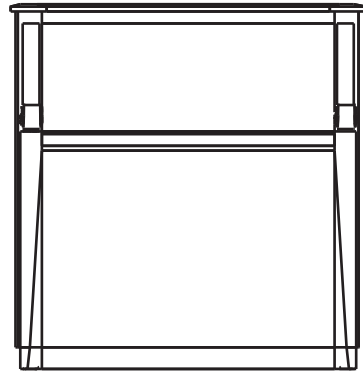
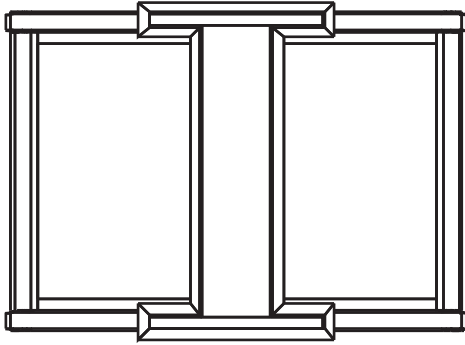
BIBLIOTHEQUE SIDE-BY-SIDE CARREL

D30.75", W 83", H45"
WORKSURFACE HEIGHT 29.5"



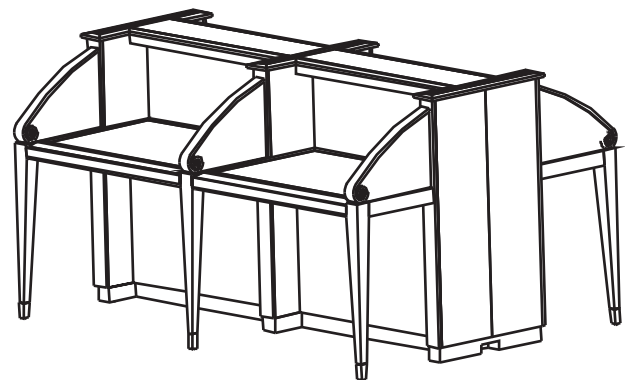
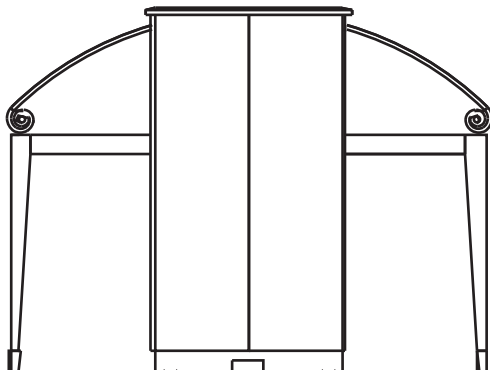
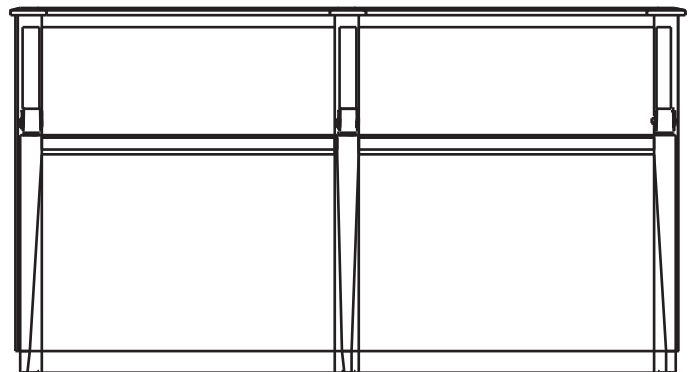
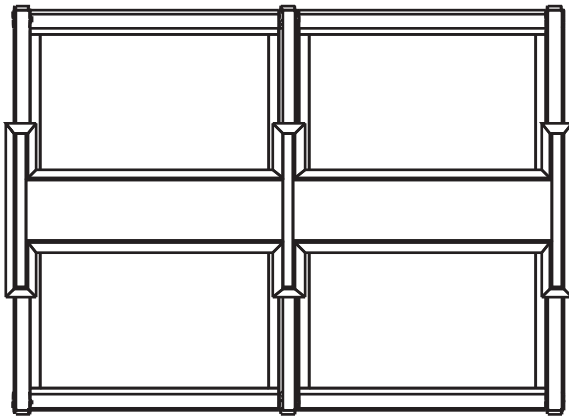
BIBLIOTHEQUE BACK-TO-BACK CARREL

D59.75", W43.75", H45"
WORK SURFACE HEIGHT 29.5"



BIBLIOTHEQUE QUAD CARREL

D59.75", W83", H45"
WORK SURFACE HEIGHT 29.5"



BIBLIOTHEQUE READING TABLE

Reading table with two scrolls per end base and integral sled base at floor.
 Hollow end panels facilitate wire management from floor to under the work surface.
 Wood species : Built in Maple, solids and veneers
 Contact factory for pricing in Walnut other species
 Dataport: DExbox optional
 Baldinger Lighting has corresponding table lamp designs.

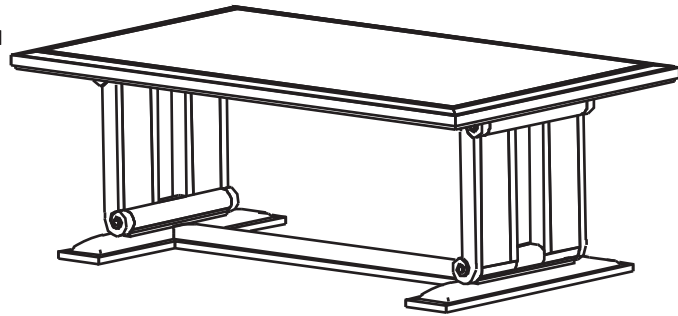
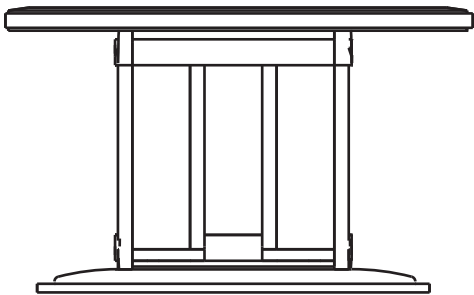
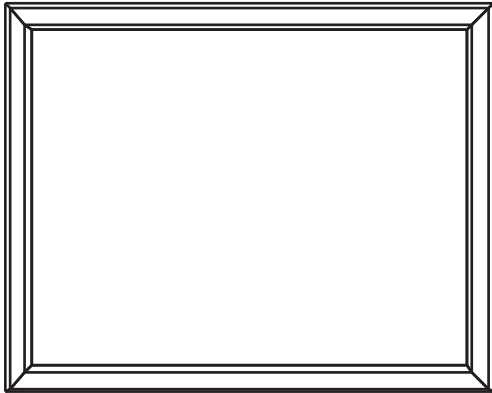
	BASE PRICE				OPTIONS ADD TO BASE PRICE		
	LIST PRICE 1	LIST PRICE 2-5	LIST PRICE 6-15	LIST PRICE 15+	LIGHTING LIST PRICE	POWER/DATA DExbox LIST PRICE	MARMOLEUM WORK SURFACE LIST PRICE
Reading Table-Wood Work Surface (4 person)	6,777	6,100	5,761	5,422	N/A	176 (2)	N/A
Reading Table-Wood Work Surface (6 person table)	8,606	7,746	7,316	6,884	N/A	176 (2)	N/A
Reading Table-Wood Work Surface (8 person table)	12,198	10,979	10,367	9,758	N/A	264 (3)	N/A

Veneer, laminate or MDF work surface options available at standard base price

Above options must be added to base price if desired

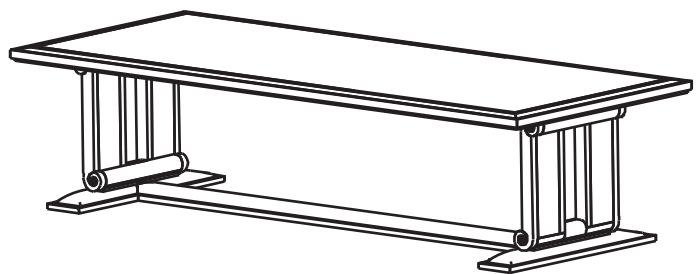
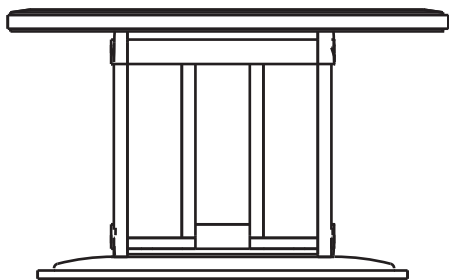
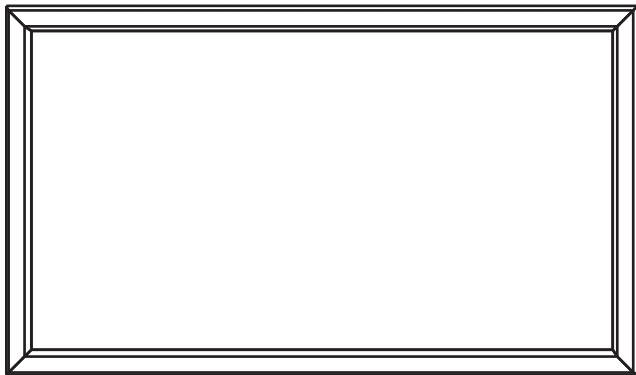
BIBLIOTHEQUE 4 PERSON READING TABLE

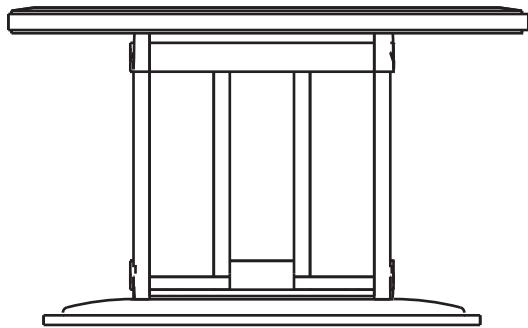
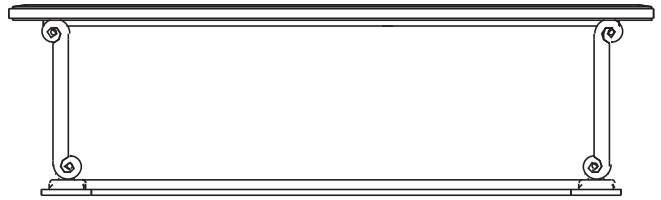
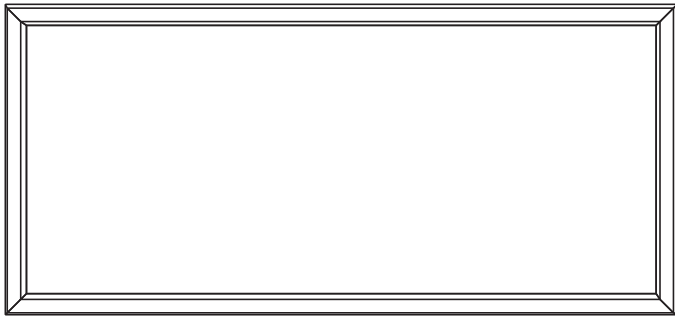
D48", W60", H29.5"



BIBLIOTHEQUE 6 PERSON READING TABLE

D48", W82", H29.5"





BIBLIOTHEQUE CHAIR

Chair features mortise-tenon construction with sled bent arms
 Wood species : Built in Maple, solids and veneers
 Contact factory for pricing in other species
 Option: jury mounted base

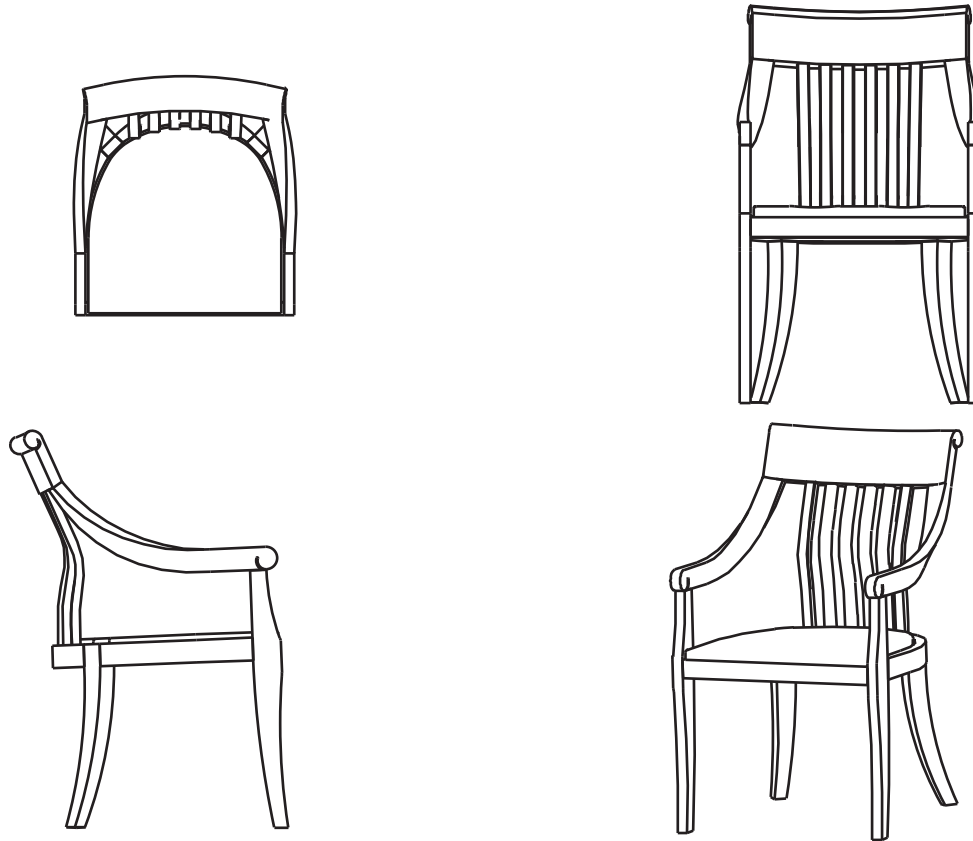
PRICING IS QUANTITY BASED	BASE PRICE				OPTIONS ADD TO BASE PRICE		
	LIST PRICE 1	LIST PRICE 2-5	LIST PRICE 6-15	LIST PRICE 15+	LIGHTING LIST PRICE	POWER/DATA DEbox LIST PRICE	MARMOLEUM WORK SURFACE LIST PRICE
Bibliotheque Arm Chair (upholstered seat) (com= 3/4 yd)	1,299	1,170	1,103	1,039	N/A	N/A	N/A
Bibliotheque Arm Chair (Solid Wood Seat)	1,440	1,297	1,225	1,152	N/A	N/A	N/A
Bibliotheque Armless Chair (upholstered seat) (com= 3/4 yd)	1,339	1,205	1,137	1,071	N/A	N/A	N/A
Bibliotheque Armless Chair (Solid Wood Seat)	1,401	1,262	1,191	1,120	N/A	N/A	N/A

Veneer, laminate or MDF work surface options available at standard base price

Above options must be added to base price if desired

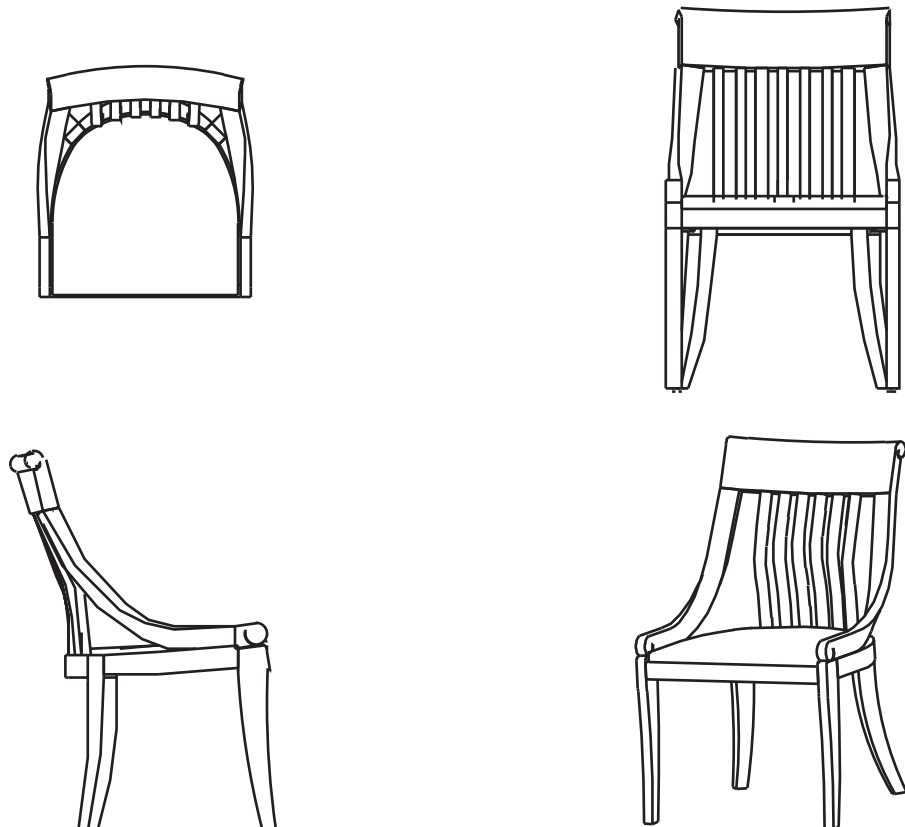
BIBLIOTHEQUE ARM CHAIR

D24.5, W21.5, H35.25, AH25.5, SH17.5, SD17



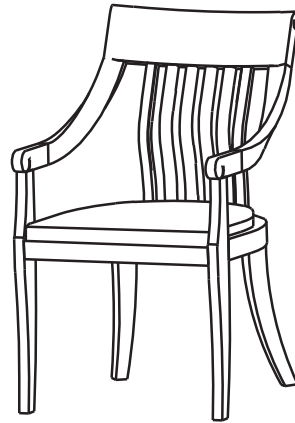
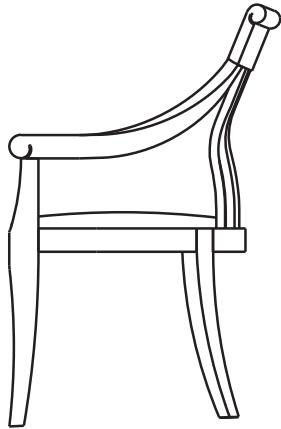
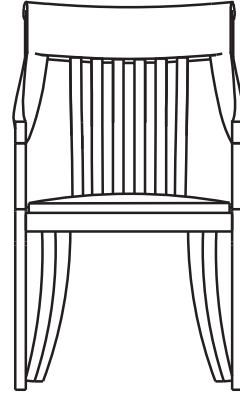
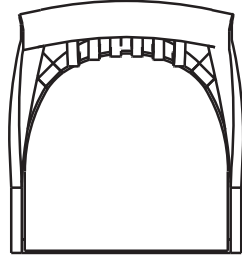
BIBLIOTHEQUE ARMLESS CHAIR

D24.5, W21.5, H35.25, SH17.5, SD17



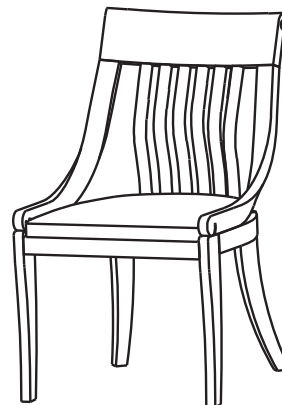
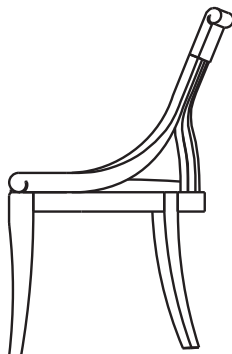
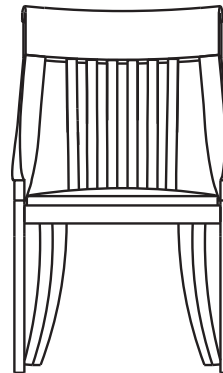
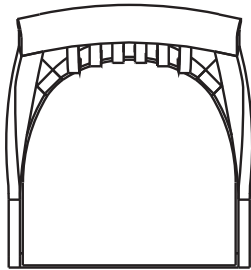
BIBLIOTHEQUE UPHOLSTERED ARM CHAIR

D24.5, W21.5, H35.25, AH25.5, SH18, SD17



BIBLIOTHEQUE UPHOLSTERED ARMLESS CHAIR

D24.5, W21.5, H35.25, SH18, SD17



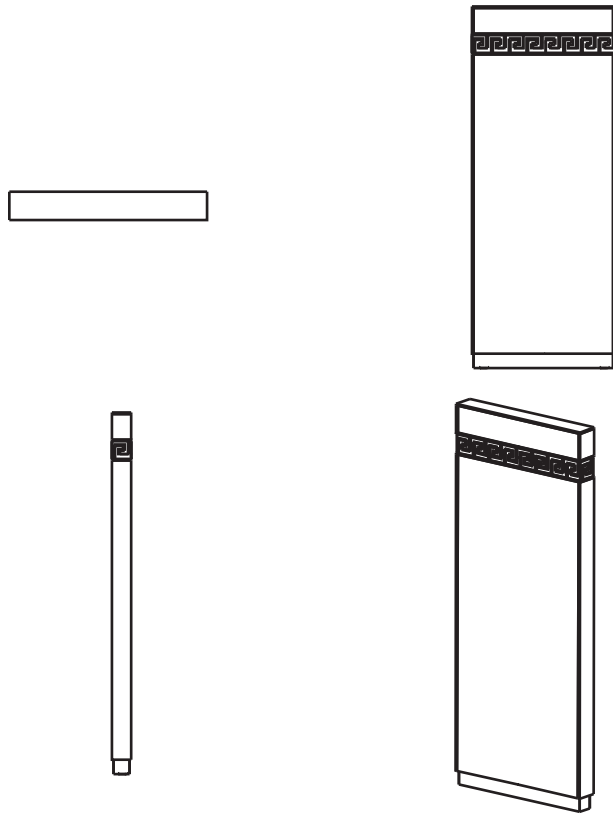
BIBLIOTHEQUE END PANEL

Single 13”
Double 26”

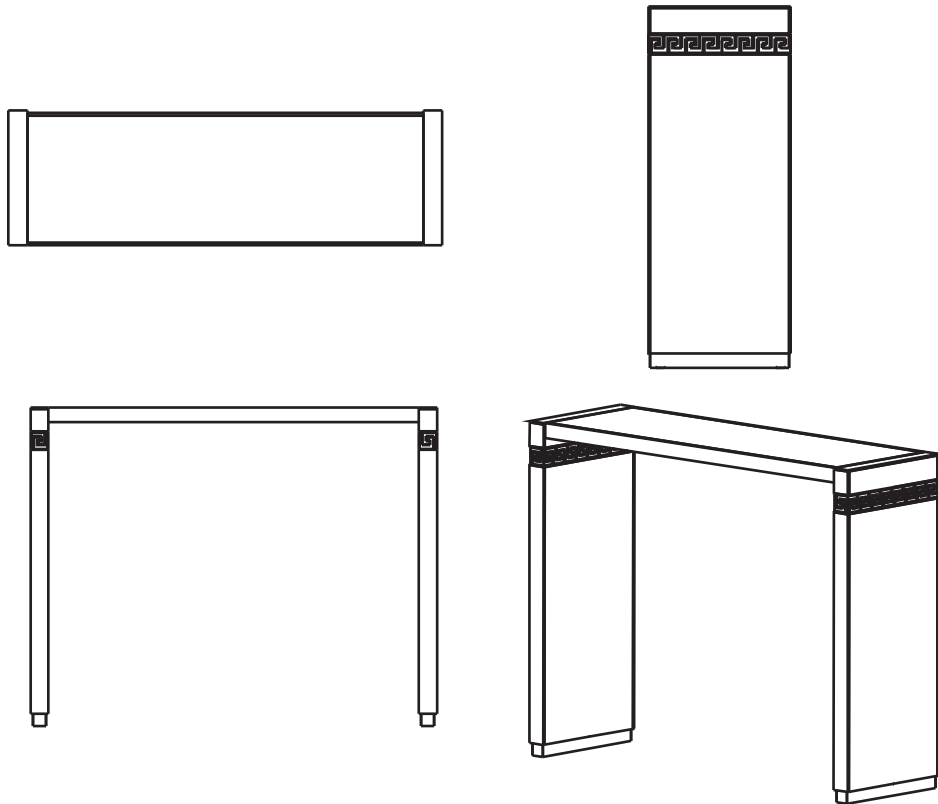
Solid wood frame with veneer panel inset and scroll work cut by a laser for accuracy of fret
Wood species : Built in Maple solids and veneers
Contact factory for pricing in other species
Option: slat wall, custom signage
Available without fret at no additional charge, please specify.

PRICING IS QUANTITY BASED		BASE PRICE				OPTIONS ADD TO BASE PRICE		
		LIST PRICE 1	LIST PRICE 2-5	LIST PRICE 6-15	LIST PRICE 15+	LIGHTING LIST PRICE	POWER/DATA DEbox LIST PRICE	MARMOLEUM WORK SURFACE LIST PRICE
HEIGHT								
End Panel	72”	1,435	1,292	1,220	1,148	N/A	N/A	N/A
(single)	66”	1,373	1,235	1,167	1,098			
	42”	1,304	1,174	1,110	1,034			
	38”	1,196	1,078	1,018	958			
End Panel	88”	1,651	1,486	1,403	1,320	N/A	N/A	N/A
(double)	72”	1,531	1,378	1,302	1,225			
	66”	1,526	1,374	1,297	1,221			
	42”	1,463	1,317	1,244	1,171			
	38”	1,418	1,277	1,206	1,134			
Canopy Top W26”		108	97	92	87	N/A	N/A	N/A
(per lineal foot)								
Canopy Top W13”		86	77	73	69	N/A	N/A	N/A
(per lineal foot)								

BIBLIOTHEQUE END PANEL



BIBLIOTHEQUE END PANEL WITH CANOPY



CMSU STUDY CARREL

Study Carrel comes with or without shelf and in single, back-to-back, side-to-side or quad versions

Wood base frame

Solid wood edge with optional work surfaces of laminate, veneer, MDF or Marmoleum

Wood species : Built in cherry or maple, solids and veneers

Contact factory for pricing in oak or other species

Dataport:DEbox (1) powerport of 110 volt outlet/ (1) RJ45 (data connector) and (1) RJ11 (voice connector) per workstation.

Light: undercabinet task light (shelf only)

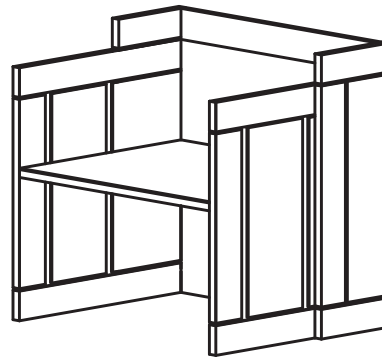
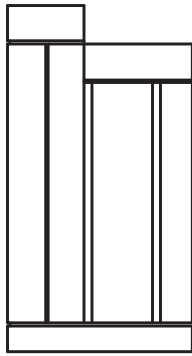
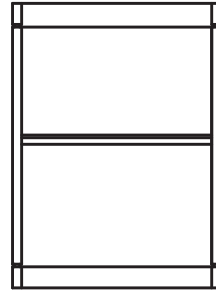
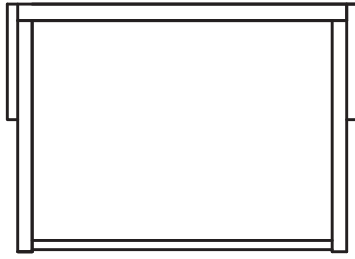
	BASE PRICE				OPTIONS ADD TO BASE PRICE		
	LIST PRICE 1	LIST PRICE 2-5	LIST PRICE 6-15	LIST PRICE 15+	LIGHTING LIST PRICE	POWER/DATA DEbox LIST PRICE	MARMOLEUM WORK SURFACE LIST PRICE
Single Carrel (1 work station)	3,993	3,643	3,281	3,093	N/A	88 (1)	804
Single Carrel w/ Shelf (1 work station)	4,207	3,857	3,495	3,307	205	88 (1)	804
Side-by-Side Carrel (2 work stations)	6,478	5,998	5,412	4,979	N/A	176 (2)	545
Side-by-Side Carrel w/ Shelf (2 work stations)	7,013	6,426	5,840	5,514	411	176 (2)	545
Back-to-Back Carrel (2 work stations)	6,478	5,998	5,412	4,979	N/A	176 (2)	545
Back-to-Back Carrel w/ Shelf (2 work stations)	7,013	6,426	5,840	5,514	411	176 (2)	545
Quad Carrel (4 work stations)	10,729	10,079	9,009	8,440	N/A	352 (4)	1,088
Quad Carrel w/ Shelf (4 work stations)	11,692	10,713	9,735	9,189	816	352 (4)	1,088

Veneer, laminate or MDF work surface options available at standard base price

Above options must be added to base price if desired

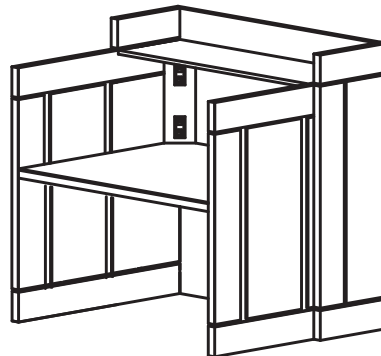
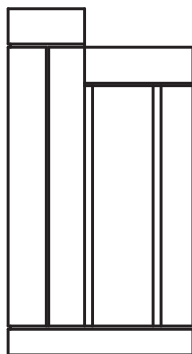
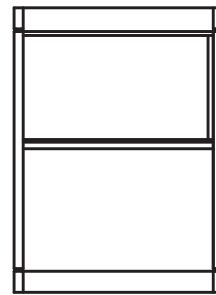
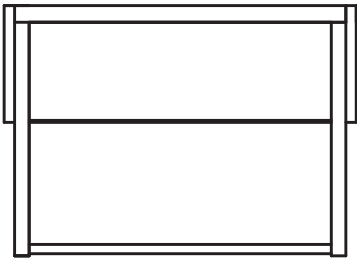
CMSU SINGLE CARREL

D30", W42.25", H54"
WORK SURFACE HEIGHT 29.5"



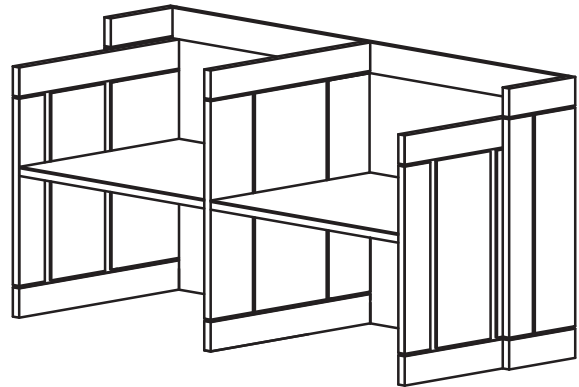
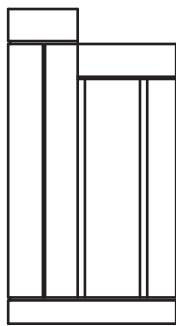
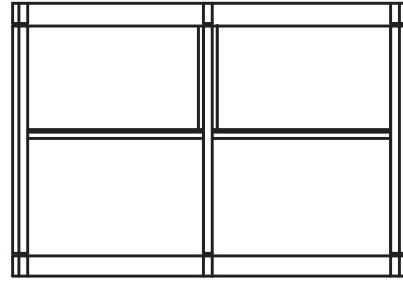
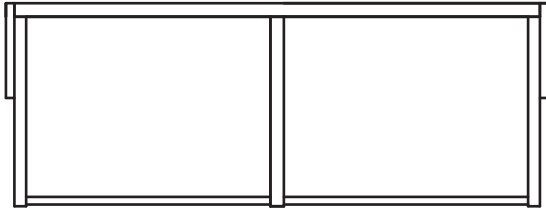
CMSU SINGLE CARREL w/ SHELF

D30", W42.25", H54"
WORK SURFACE HEIGHT 29.5"



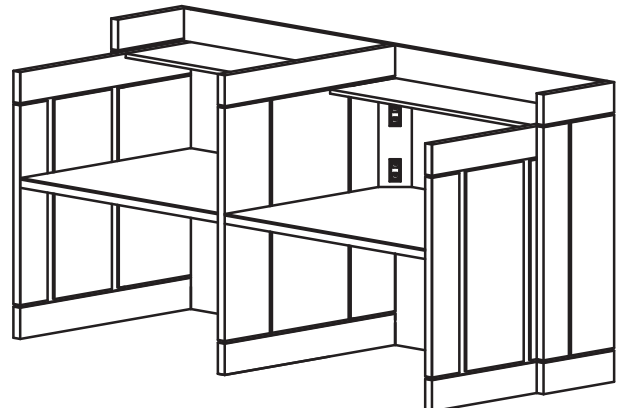
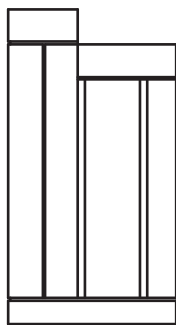
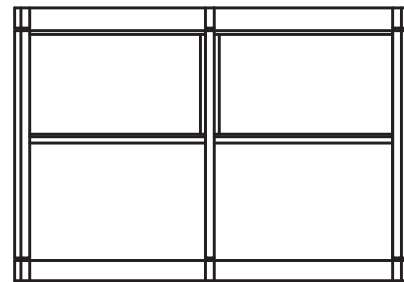
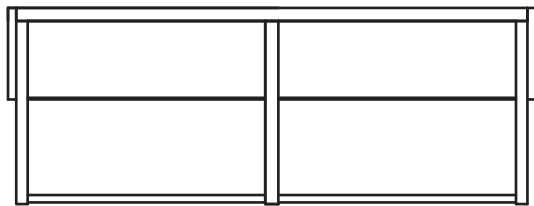
CMSU SIDE-BY-SIDE CARREL

D30", W80.5", H54"
WORK SURFACE HEIGHT 29.5"



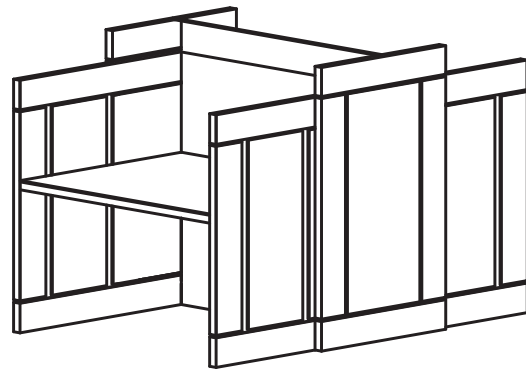
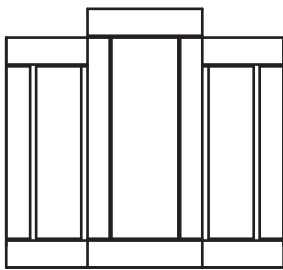
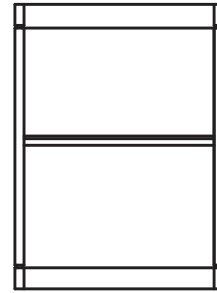
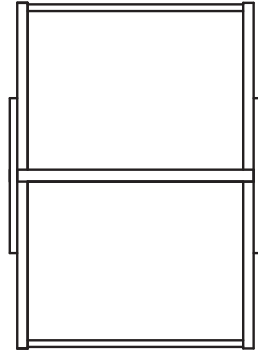
CMSU SIDE-BY-SIDE CARREL w/ SHELF

D30", W80.5", H54"
WORK SURFACE HEIGHT 29.5"



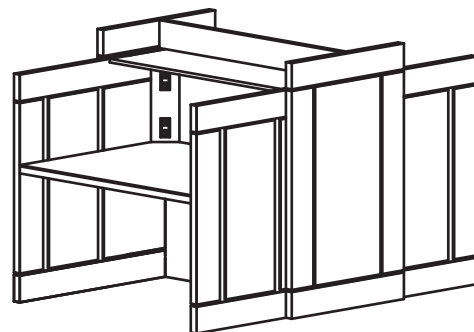
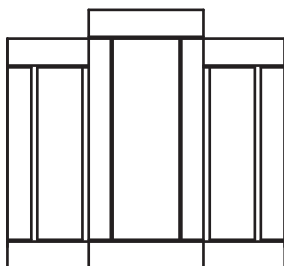
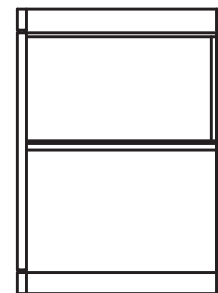
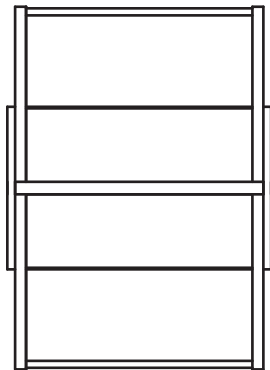
CMSU BACK-TO-BACK CARREL

D58", W42.25", H54"
WORK SURFACE HEIGHT 29.5"



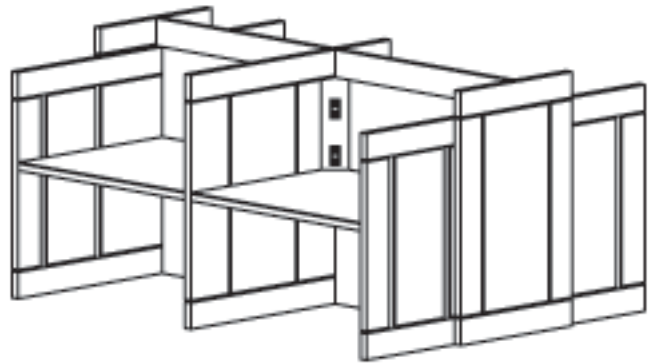
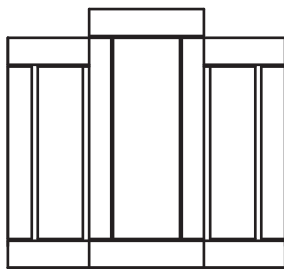
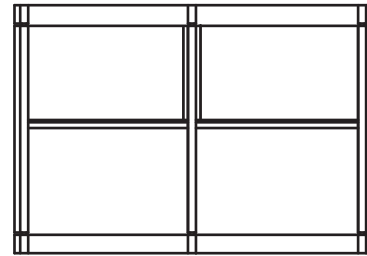
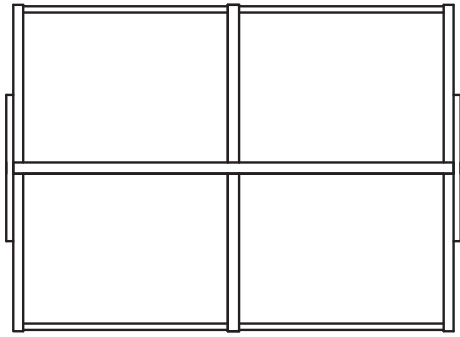
CMSU BACK-TO-BACK CARREL w/ SHELF

D58", W42.25", H54"
WORK SURFACE HEIGHT 29.5"



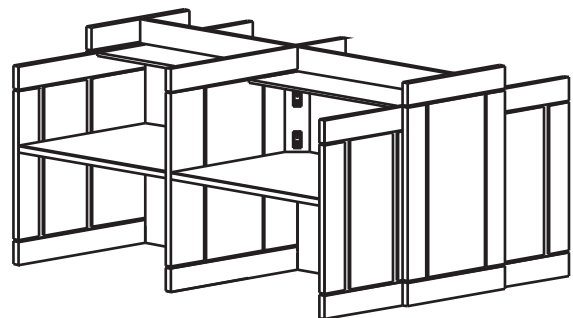
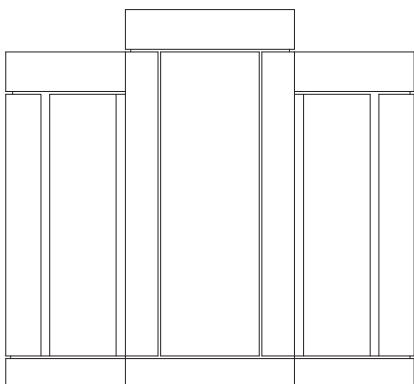
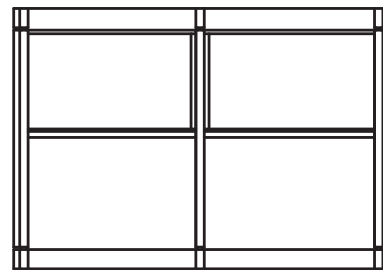
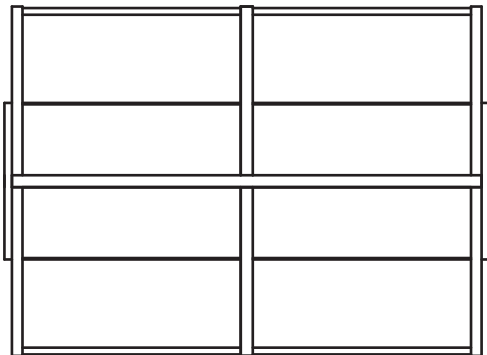
CMSU QUAD CARREL

D58", W80.5", H54"
WORK SURFACE HEIGHT 29.5"



CMSU QUAD CARREL w/ SHELF

D58", W80.5", H54"
WORK SURFACE HEIGHT 29.5"



CMSU READING TABLE

Solid wood base frame with mortise-tenon construction

Solid wood edge with optional work surfaces of laminate, veneer, MDF or Marmoleum

Wood species : Built in cherry or maple, solids and veneers

Contact factory for pricing in oak or other species

Dataport: Dataport:DExbox (1)powerport of 110 volt outlet/ (1) RJ45 (data connector) and (1) RJ11 (voice connector) per workstation, UL listed

Custom lighting and finishes available

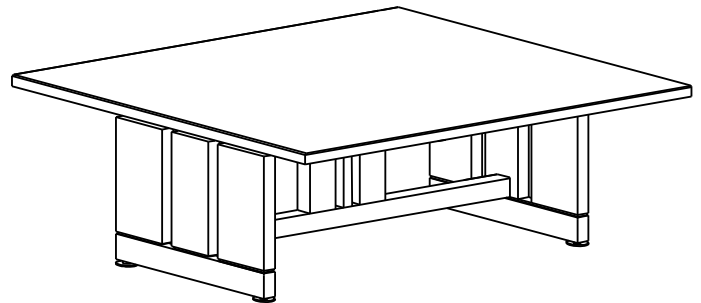
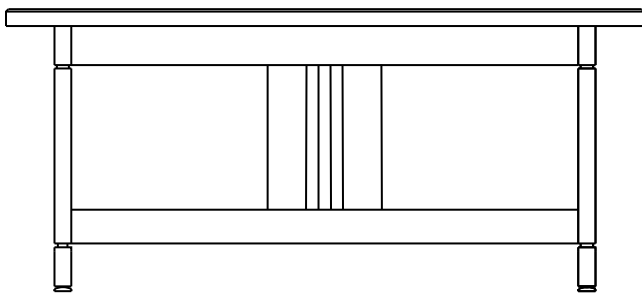
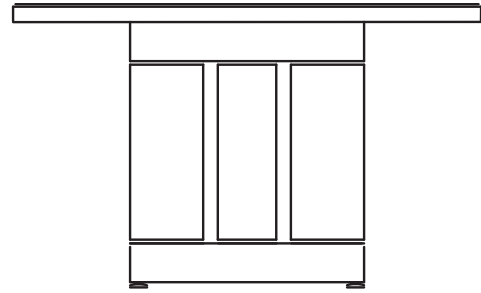
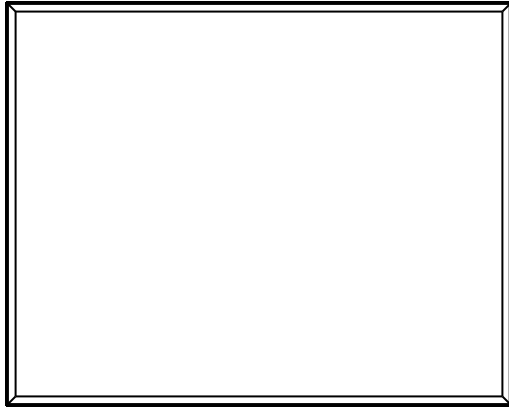
PRICING IS QUANTITY BASED	BASE PRICE				OPTIONS ADD TO BASE PRICE		
	LIST PRICE 1	LIST PRICE 2-5	LIST PRICE 6-15	LIST PRICE 15+	LIGHTING LIST PRICE	POWER/DATA DExbox LIST PRICE	MARMOLEUM WORK SURFACE LIST PRICE
Reading Table (4 person)	4,426	4,039	3,368	3,198	2,087	88 (1)	406
Reading Table (6 person)	5,018	4,601	4,184	4,011	2,943	176 (2)	502
Reading Table (8 person)	8,023	6,675	6,070	5,768	3,499	352 (4)	672

Veneer, laminate or MDF work surface options available at standard base price

Above options must be added to base price if desired

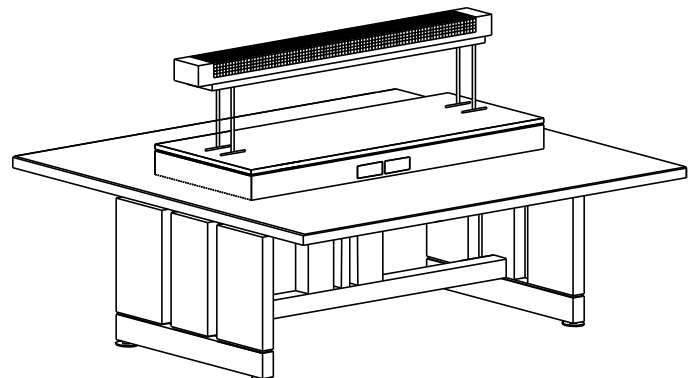
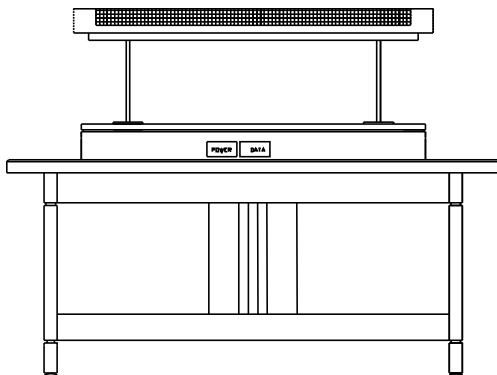
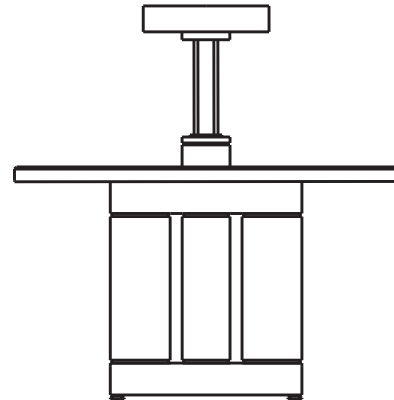
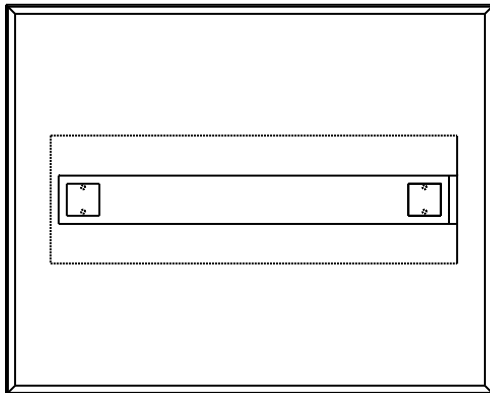
CMSU 4-PERSON READING TABLE

L74", W48", H29.5"



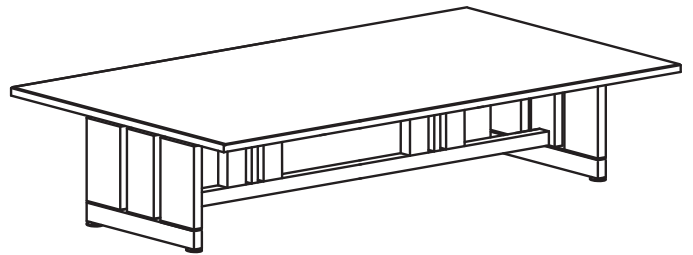
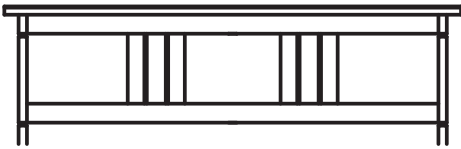
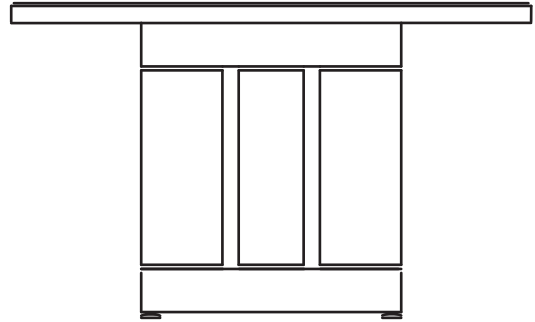
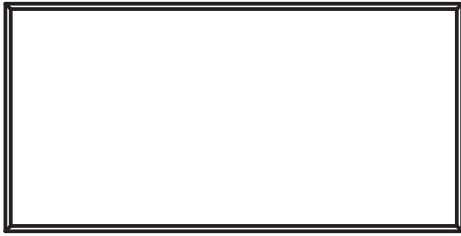
CMSU 4-PERSON READING TABLE w/ LIGHT

L74", W48", H29.5"



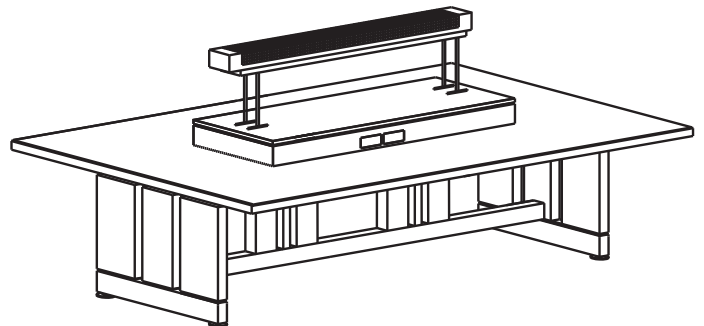
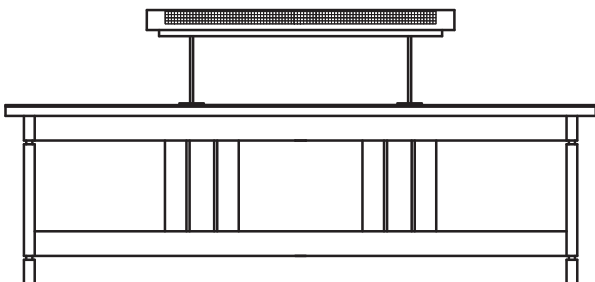
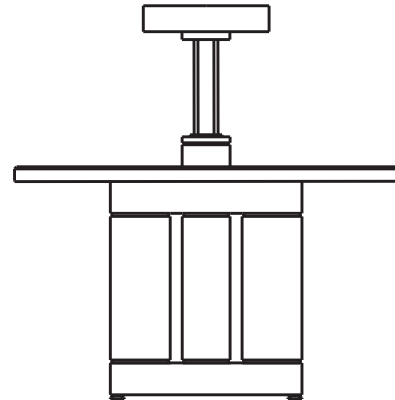
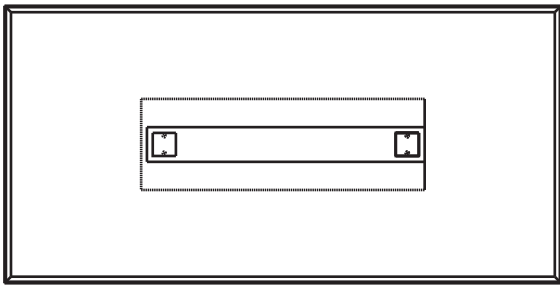
CMSU 6-PERSON READING TABLE

L110", W48", H29.5"



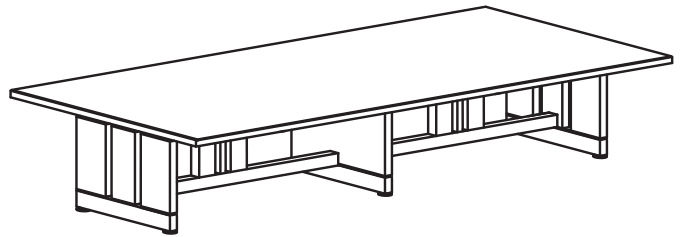
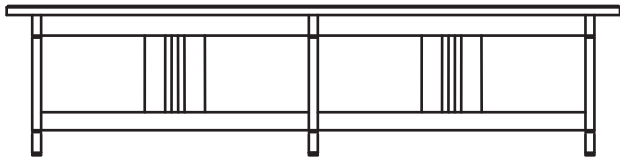
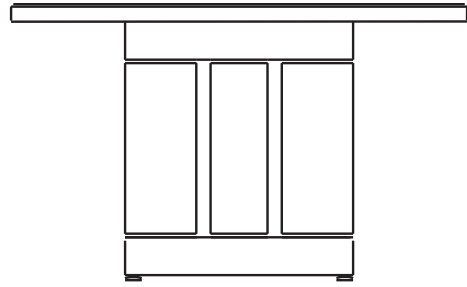
CMSU 6-PERSON READING TABLE w/ LIGHT

L110", W48", H29.5"



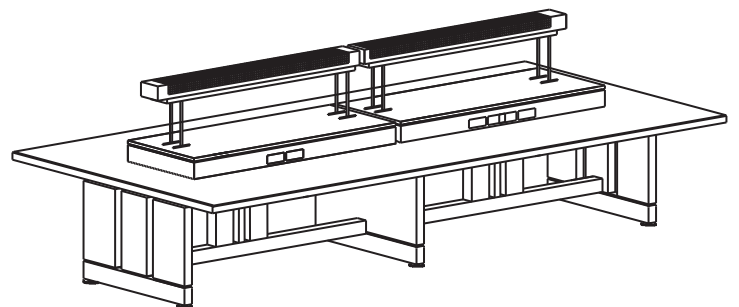
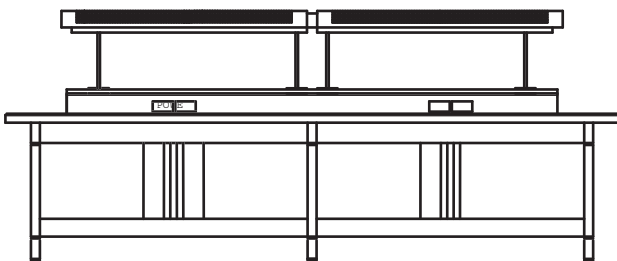
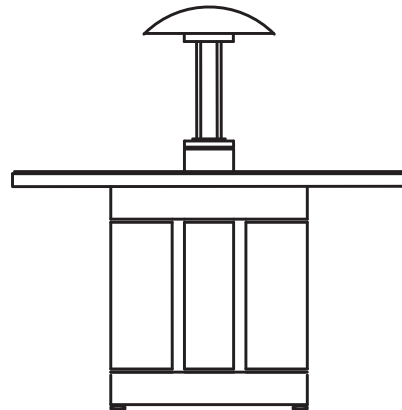
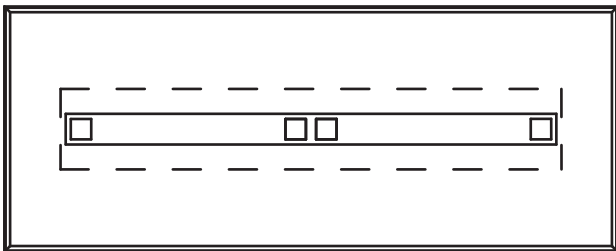
CMSU 8-PERSON READING TABLE

L144", W48", H29.5"



CMSU 8-PERSON READING TABLE w/ LIGHT

L144", W48", H29.5"



FAYETTE STUDY CARREL

Study Carrel comes with or without shelf and in single, back-to-back, side-to-side and quad versions

Wood base frame with with steel supports of a cantilevered work surface

Solid wood edge with optional work surfaces of laminate, veneer, MDF, Marmoleum or Corian surface

Wood species : Built in cherry or maple, solids and veneers

Contact factory for pricing in oak or other species

Dataport: Dataport: DExbox (1)powerport of 110 volt outlet/ (1) RJ45 (data connector) and (1) RJ11 (voice connector) per workstation.

Light: undercabinet task light (shelf only)

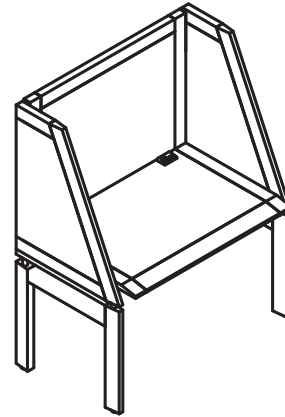
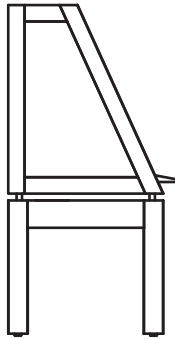
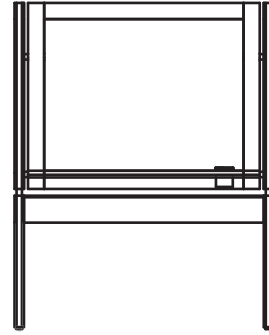
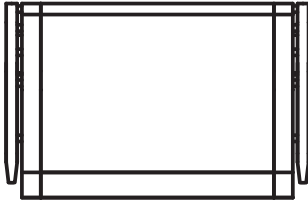
PRICING IS QUANTITY BASED	BASE PRICE				OPTIONS ADD TO BASE PRICE		
	LIST PRICE 1	LIST PRICE 2-5	LIST PRICE 6-15	LIST PRICE 15+	LIGHTING LIST PRICE	POWER/DATA DExbox LIST PRICE	MARMOLEUM WORK SURFACE LIST PRICE
Single Carrel (1 work station)	3,993	3,643	3,281	3,093	205	88 (1)	804
Single Carrel w/ Shelf (1 work station)	4,207	3,857	3,495	3,307	205	176 (1)	804
Side-by-Side Carrel (2 work stations)	6,478	5,998	5,412	4,979	411	176 (2)	545
Side-by-Side Carrel w/ Shelf (2 work stations)	7,013	6,426	5,840	5,514	411	176 (2)	545
Back-to-Back Carrel (2 work stations)	6,478	5,998	5,412	4,979	411	176 (2)	545
Back-to-Back Carrel w/ Shelf (2 work stations)	7,013	6,426	5,840	5,514	411	176 (2)	545
Quad Carrel (4 work stations)	10,729	10,079	9,009	8,440	822	352 (4)	1,088
Quad Carrel w/ Shelf (4 work stations)	11,692	10,713	9,735	9,189	822	352 (4)	1,088

Veneer, laminate or MDF work surface options available at standard base price

Above options must be added to base price if desired

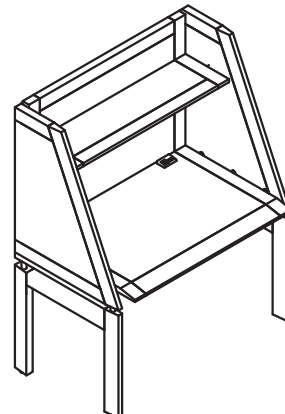
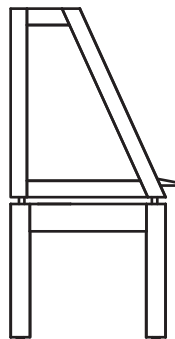
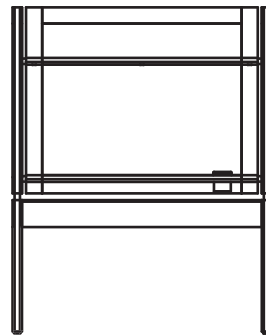
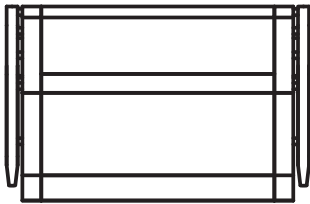
FAYETTE SINGLE CARREL

D31", W48", H60.5"
WORK SURFACE HEIGHT 29.5"



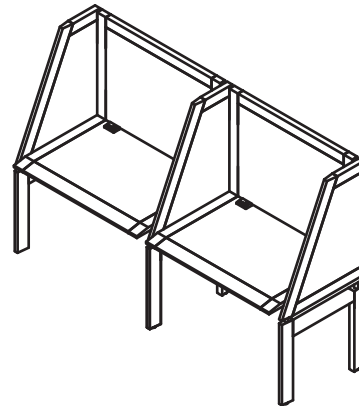
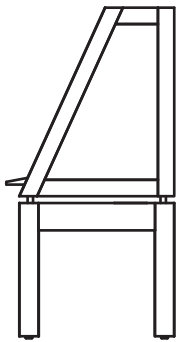
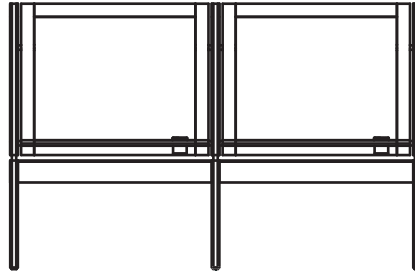
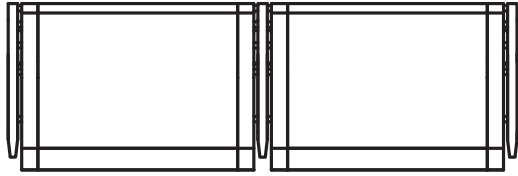
FAYETTE SINGLE CARREL w/ SHELF

D31", W48.5", H60.5"
WORK SURFACE HEIGHT 29.5"



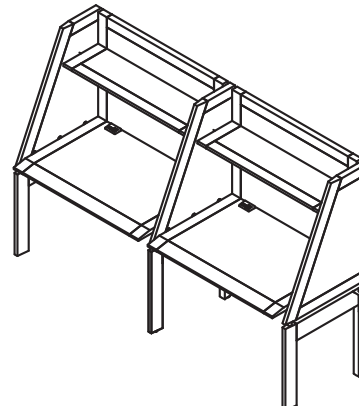
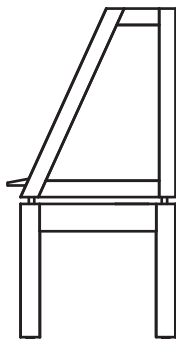
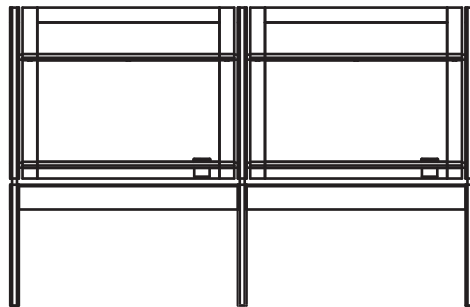
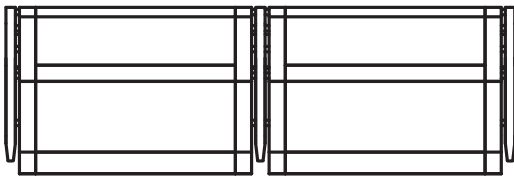
FAYETTE SIDE-BY-SIDE CARREL

D31", W94.25", H60.5"
WORK SURFACE HEIGHT 29.5"



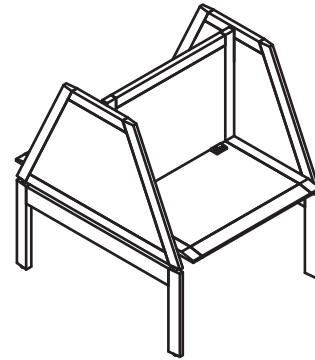
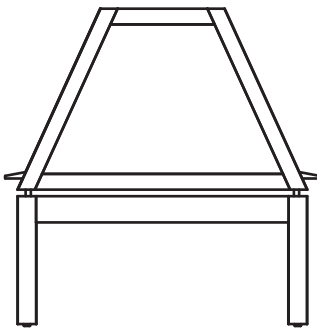
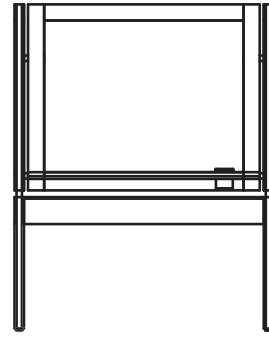
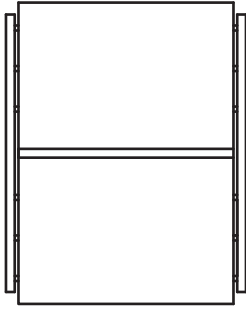
FAYETTE SIDE-BY-SIDE CARREL w/ SHELF

D31", W94.25", H60.5"
WORK SURFACE HEIGHT 29.5"



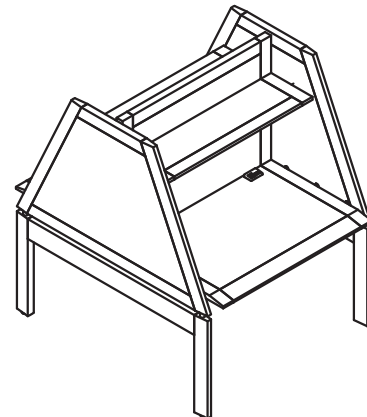
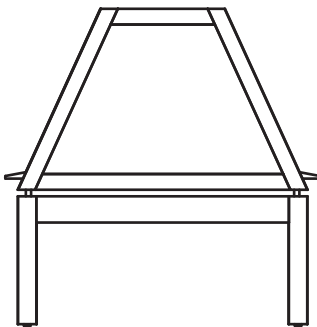
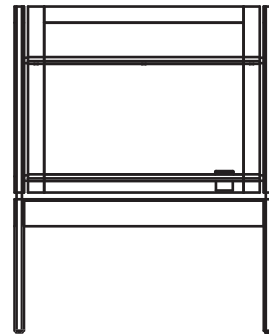
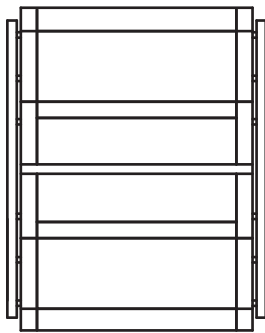
FAYETTE BACK-TO-BACK CARREL

D60", W48", H60.5"
WORK SURFACE HEIGHT 29.5"



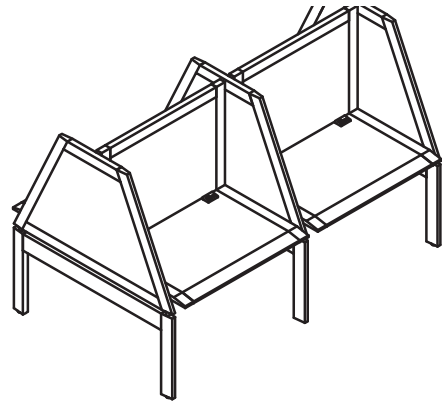
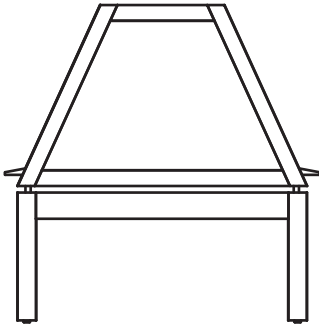
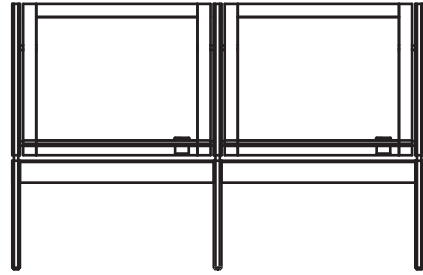
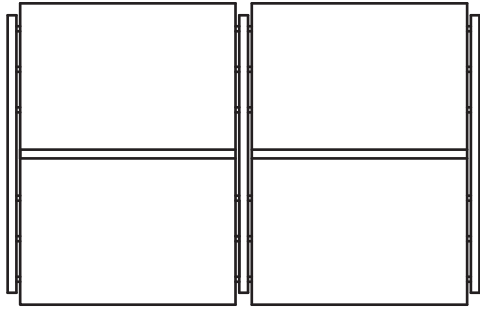
FAYETTE BACK-TO-BACK CARREL w/ SHELF

D60", W48", H60.5"
WORK SURFACE HEIGHT 29.5"



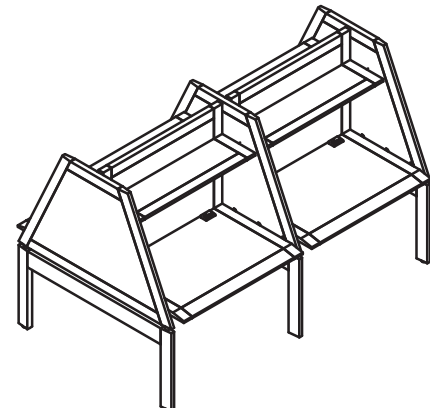
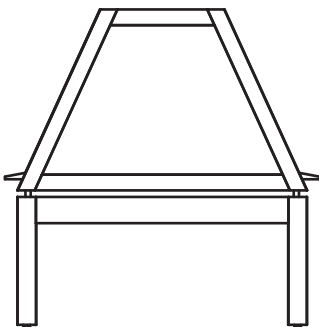
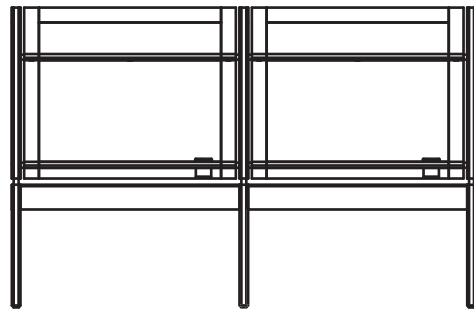
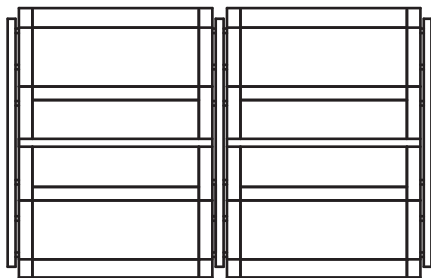
FAYETTE QUAD CARREL

D60", W94.25", H60.5"
WORK SURFACE HEIGHT 29.5"



FAYETTE QUAD CARREL w/ SHELF

D60", W94.25", H60.5"
WORK SURFACE HEIGHT 29.5"



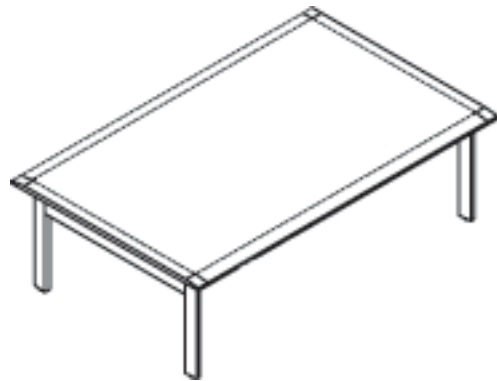
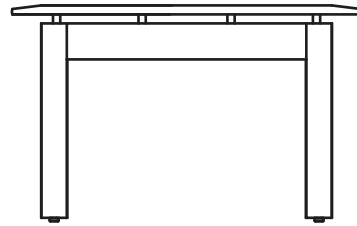
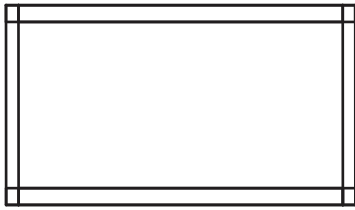
FAYETTE READING TABLE

Wood base frame with steel supports of a cantilevered work surface
 Solid wood edge with optional work surfaces of laminate, veneer, MDF, Marmoleum, or Corian surface
 Wood species : Built in cherry or maple, solids and veneers
 Contact factory for pricing in oak or other species
 Dataport: Dataport:DEXbox (1)powerport of 110 volt outlet/ (1) RJ45 (data connector) and (1) RJ11 (voice connector) per workstation, UL listed
 Custom fluorescent fixture with acrylic perforated diffuser available
 Additional custom lighting fixtures and finishes also available, contact factory

	BASE PRICE				OPTIONS ADD TO BASE PRICE	
	LIST PRICE 1	LIST PRICE 2-5	LIST PRICE 6-15	LIST PRICE 15+	POWER/DATA DExbox LIST PRICE	MARMOLEUM WORK SURFACE LIST PRICE
Reading Table (4 person)	4,468	4,106	3,743	3,561	88 (1)	406
Reading Table (6 person)	5,557	5,103	4,649	4,426	176 (2)	502
Reading Table (8 person)	8,071	7,412	6,747	6,415	352 (4)	671

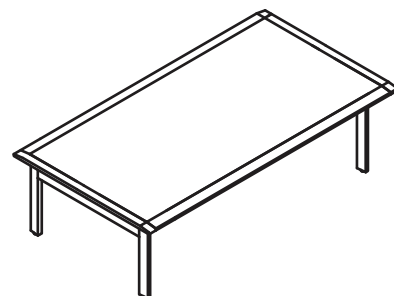
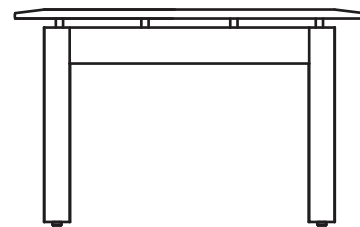
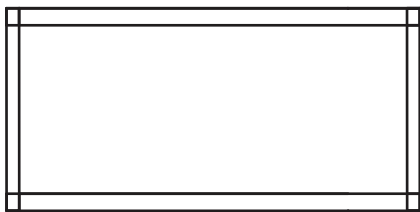
FAYETTE 4-PERSON READING TABLE

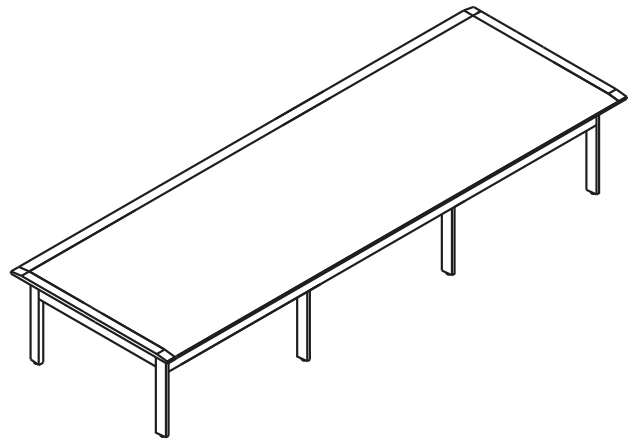
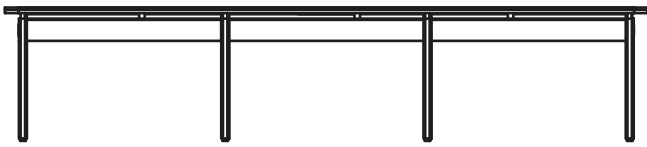
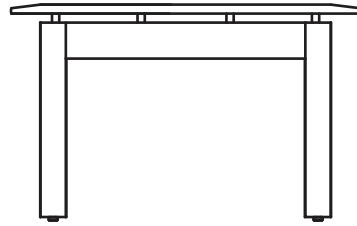
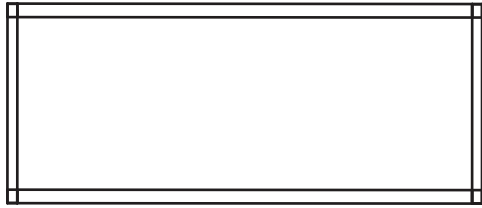
L72", W48", H29.5"



FAYETTE 6-PERSON READING TABLE

L108", W48", H29.5"





SUFFOLK STUDY CARREL

Study Carrel with or without shelf and in single, back-to-back, side-to-side and quad versions

Wood base frame

Solid wood edge with optional work surfaces of laminate, veneer, MDF, Marmoleum or Corian surface

Wood species : Built in cherry or maple, solids and veneers

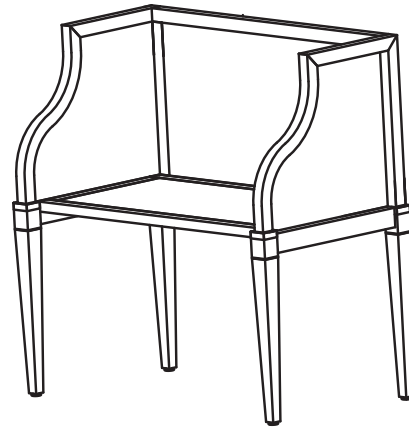
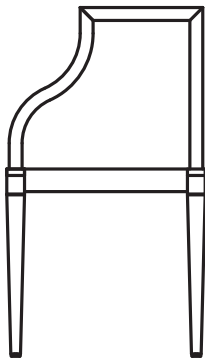
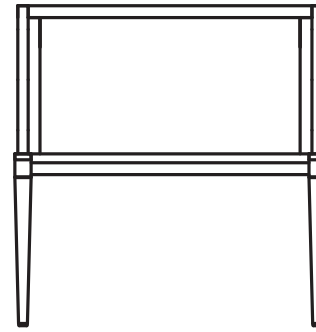
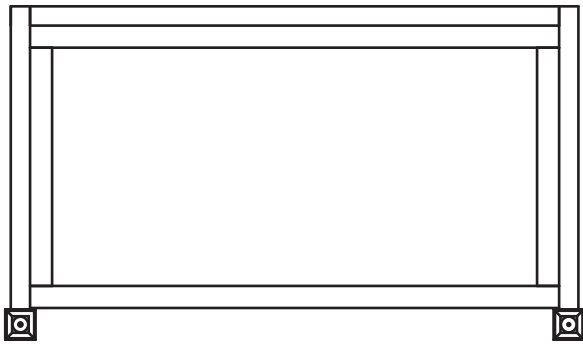
Contact factory for pricing in oak or other species

Dataport:DEXbox (1)powerport of 110 volt outlet/ (1) RJ45 (data connector) and (1) RJ11 (voice connector) per workstation.Light: undercabinet task light (shelf only)

	BASE PRICE				OPTIONS ADD TO BASE PRICE		
	LIST PRICE 1	LIST PRICE 2-5	LIST PRICE 6-15	LIST PRICE 15+	LIGHTING LIST PRICE	POWER/DATA DEXbox LIST PRICE	MARMOLEUM WORK SURFACE LIST PRICE
Single Carrel (1 work station)	3,727	3,402	3,069	2,905	N/A	88 (1)	169
Single Carrel w/ Shelf (1 work station)	3,942	3,616	3,283	3,119	205	88 (1)	169
Side-by-Side Carrel (2 work stations)	6,144	5,593	5,049	4,778	N/A	176 (2)	338
Side-by-Side Carrel w/ Shelf (2 work stations)	6,572	6,021	5,477	5,206	410	176 (2)	338
Back-to-Back Carrel (2 work stations)	6,144	5,593	5,049	4,778	N/A	176 (2)	338
Back-to-Back Carrel w/ Shelf (2 work stations)	6,572	6,021	5,477	5,206	410	176 (2)	338
Quad Carrel (4 work stations)	10,313	9,614	8,701	8,141	N/A	352 (4)	677
Quad Carrel w/ Shelf (4 work stations)	10,955	10,042	9,129	8,676	816	352 (4)	677

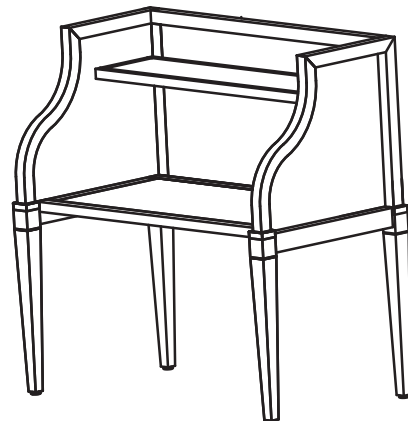
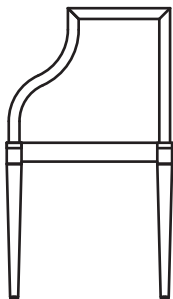
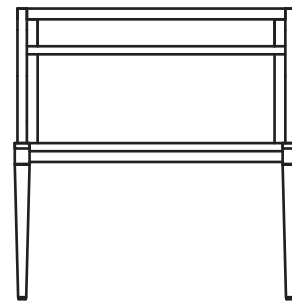
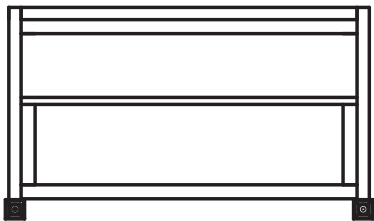
SUFFOLK SINGLE CARREL

D28", W49.5", H60"
WORK SURFACE HEIGHT 29.5"



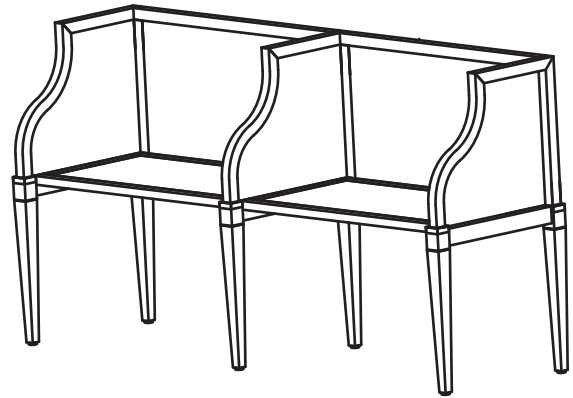
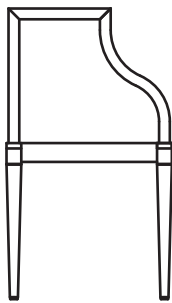
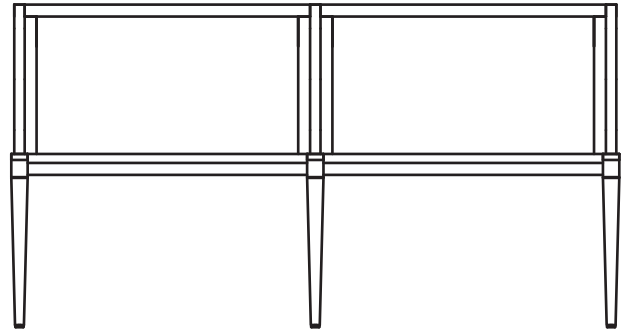
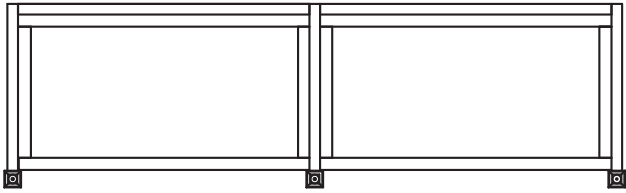
SUFFOLK SINGLE CARREL w/ SHELF

D28", W49.5", H60"
WORK SURFACE HEIGHT 29.5"



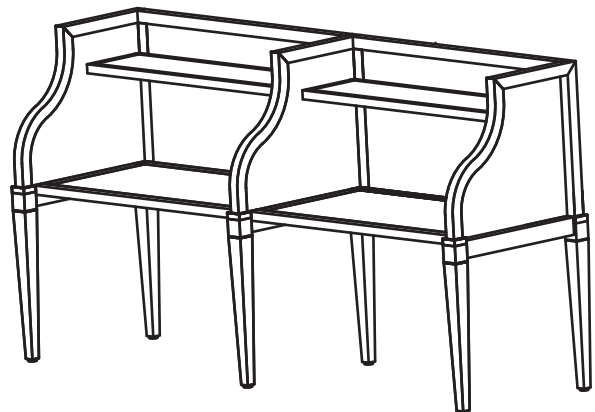
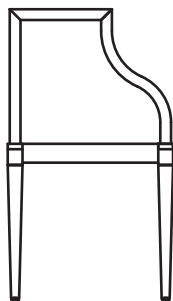
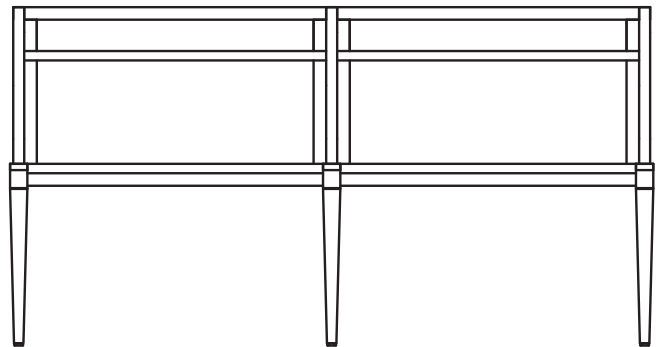
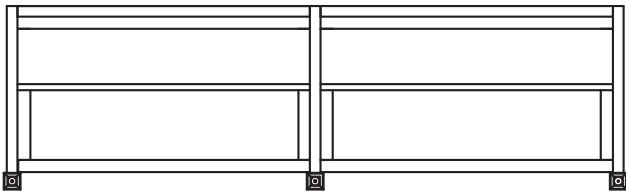
SUFFOLK SIDE-BY-SIDE CARREL

D28", W96", H60"
WORK SURFACE HEIGHT 29.5"



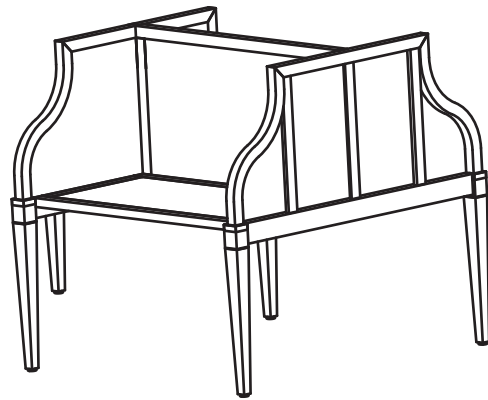
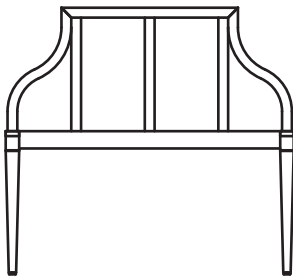
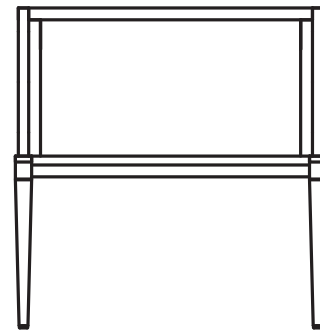
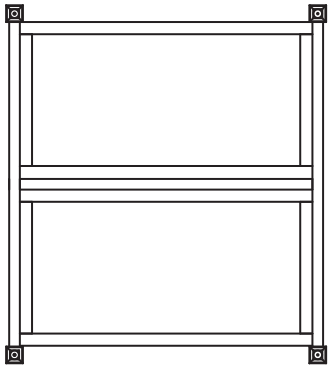
SUFFOLK SIDE-BY-SIDE CARREL w/ SHELF

D28", W96", H60"
WORK SURFACE HEIGHT 29.5"



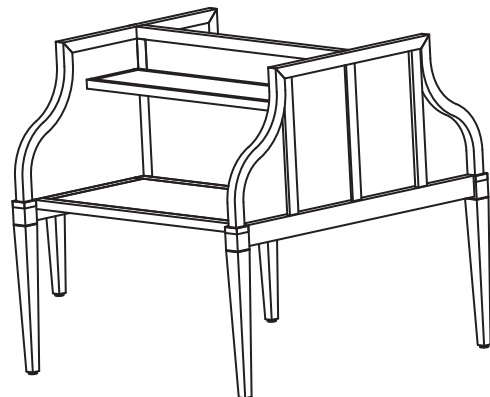
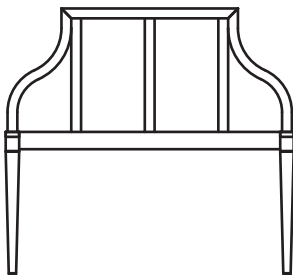
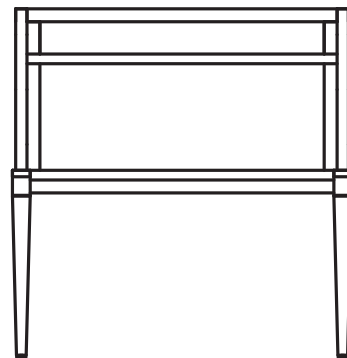
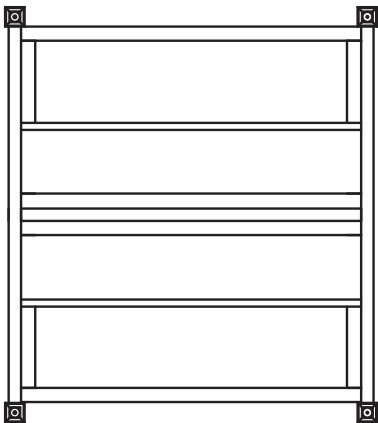
SUFFOLK BACK-TO-BACK CARREL

D55", W49.5", H60"
WORK SURFACE HEIGHT 29.5"



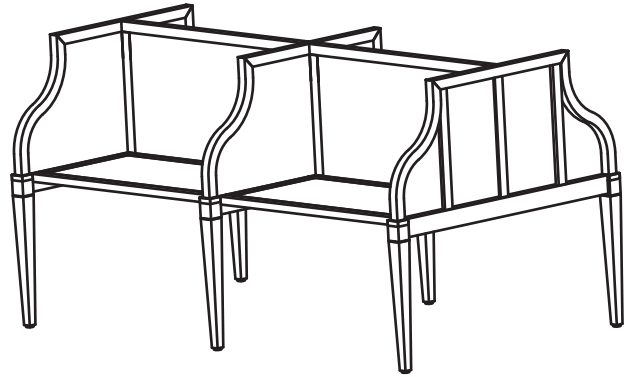
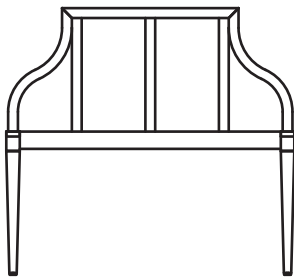
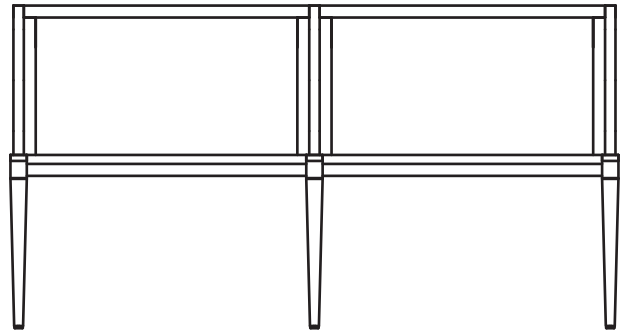
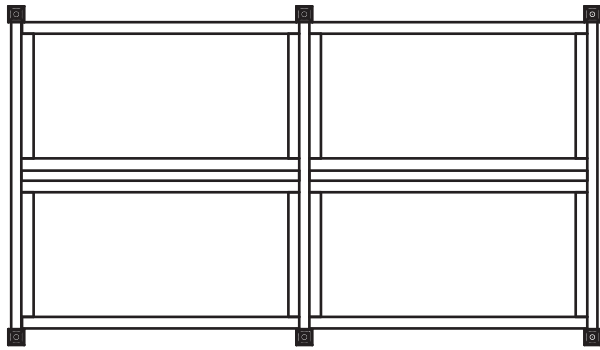
SUFFOLK BACK-TO-BACK CARREL w/ SHELF

D55", W49.5", H60"
WORK SURFACE HEIGHT 29.5"



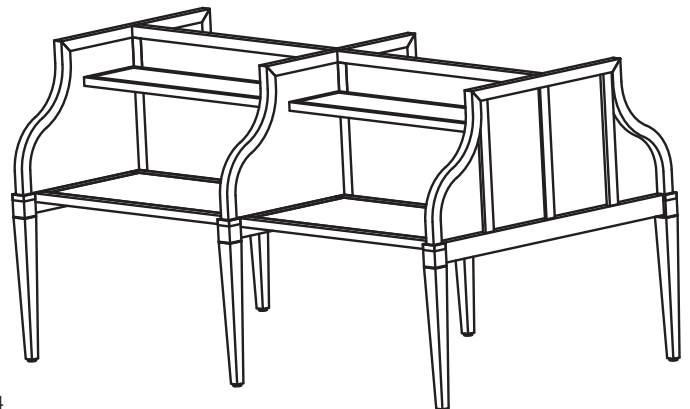
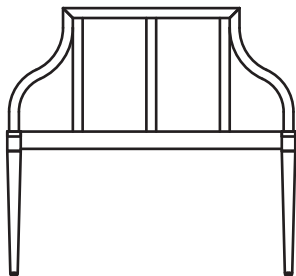
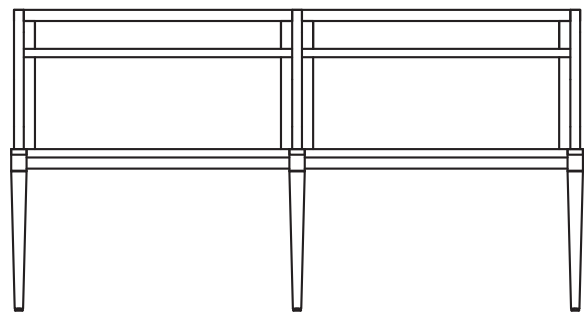
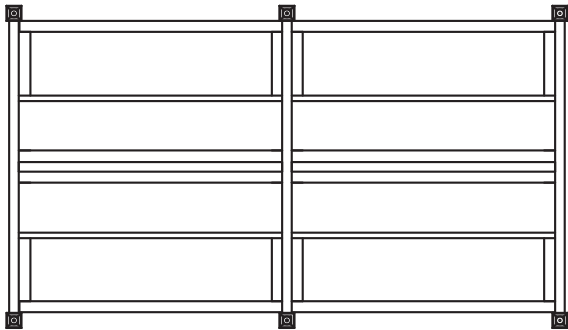
SUFFOLK QUAD CARREL

D55", W96", H60"
WORK SURFACE HEIGHT 29.5"



SUFFOLK QUAD CARREL w/ SHELF

D55", W96", H60"
WORK SURFACE HEIGHT 29.5"



SUFFOLK READING TABLE

Wood base frame with mortise-tenon construction

Solid wood edge with optional work surfaces of laminate, veneer, MDF or Marmoleum

Wood species : Built in cherry or maple, solids and veneers

Contact factory for pricing in oak or other species

Dataport: DExbox (1)powerport of 110 volt outlet/ (1) RJ45 (data connector) and (1) RJ11 (voice connector) per workstation.Light: undercabinet task light, UL listed

Custom lighting and finishes available, contact factory

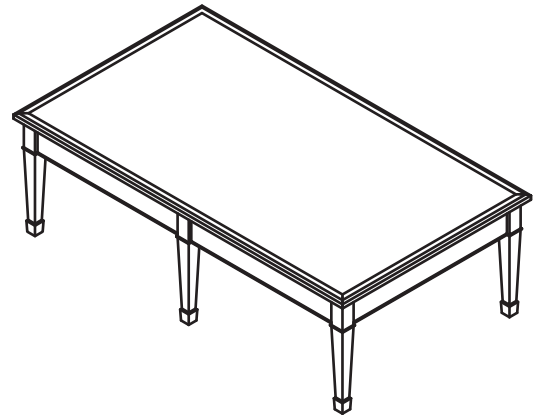
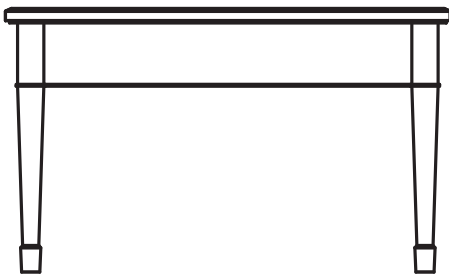
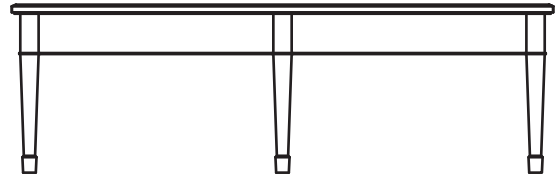
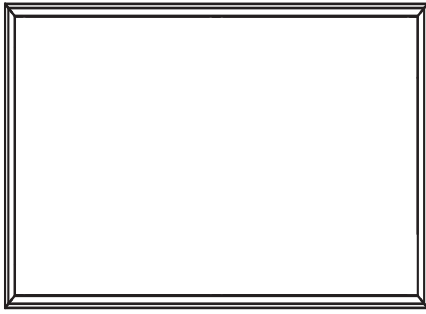
PRICING IS QUANTITY BASED	BASE PRICE				OPTIONS ADD TO BASE PRICE		
	LIST PRICE 1	LIST PRICE 2-5	LIST PRICE 6-15	LIST PRICE 15+	LIGHTING LIST PRICE	POWER/DATA DExbox LIST PRICE	MARMOLEUM WORK SURFACE LIST PRICE
Reading Table (4 person)	4,347	3,985	3,622	3,440	1,980 (2 lamps)	88 (1)	406
Reading Table (6 person)	5,436	4,982	4,528	4,305	1,980 (2 lamps)	176 (2)	502
Reading Table (8 person)	7,950	7,291	6,627	6,294	1,980 (2 lamps)	352 (4)	671

Veneer, laminate or MDF work surface options available at standard base price

Above options must be added to base price if desired

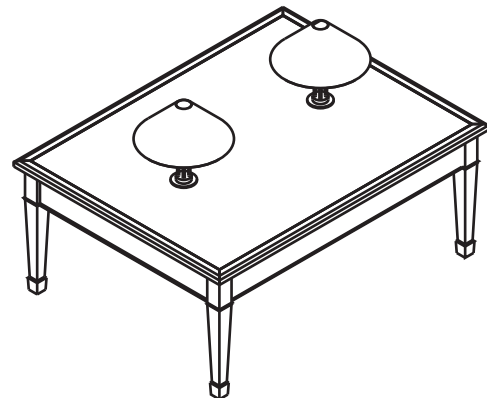
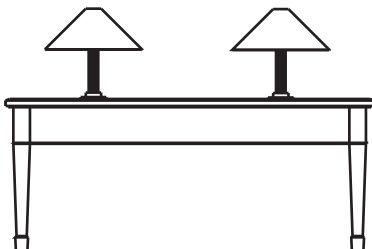
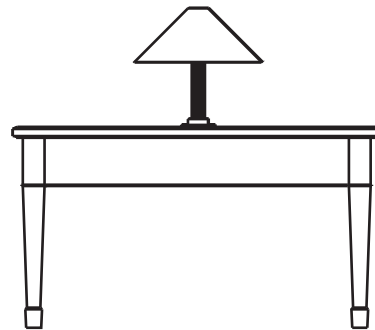
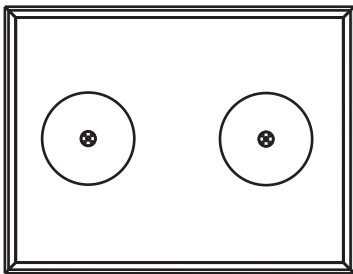
SUFFOLK 4-PERSON READING TABLE

L74", W48", H29.5"



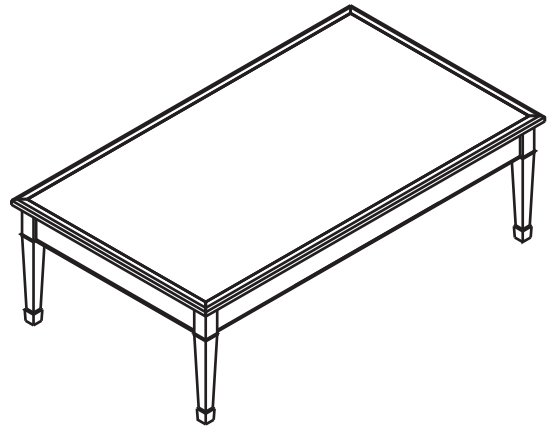
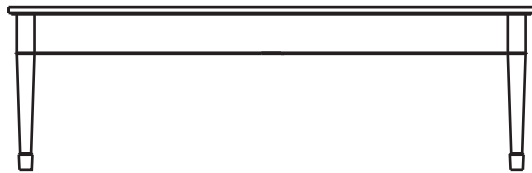
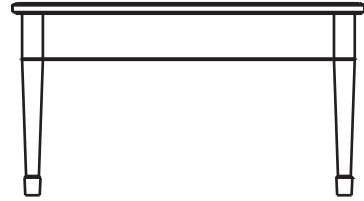
SUFFOLK 4-PERSON READING TABLE w/ LIGHT

L74", W48", H29.5"



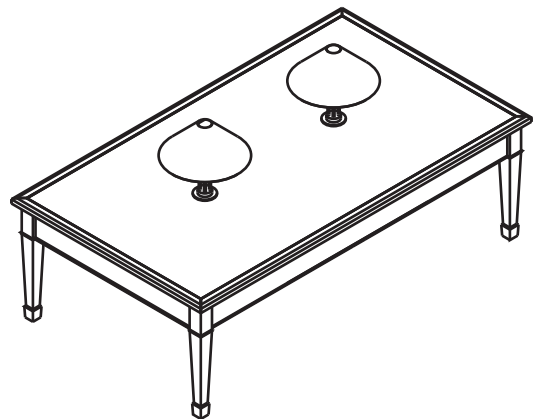
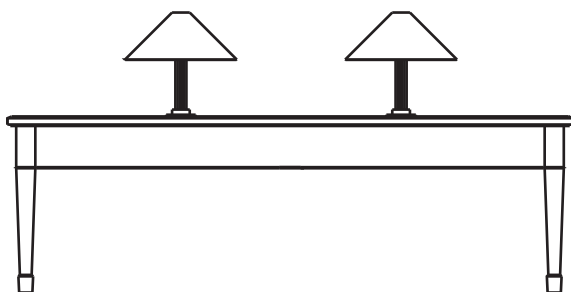
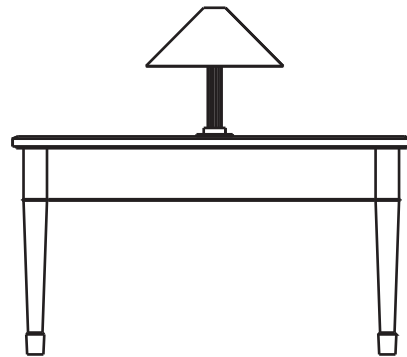
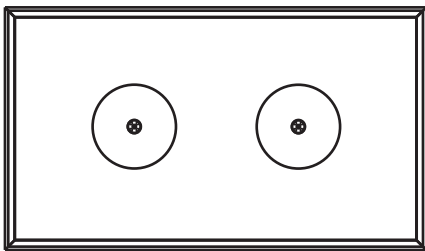
SUFFOLK 6-PERSON READING TABLE

L110", W48", H29.5"



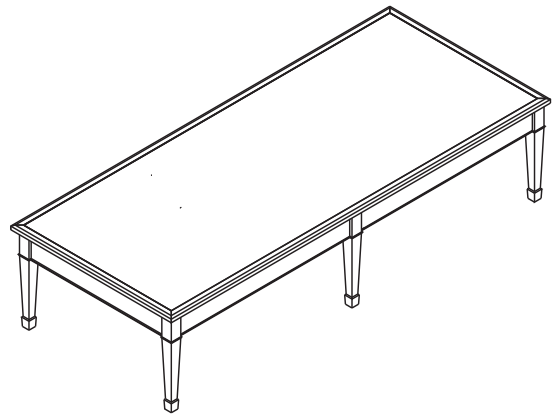
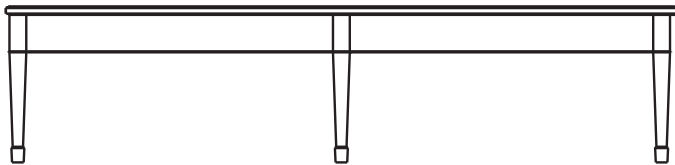
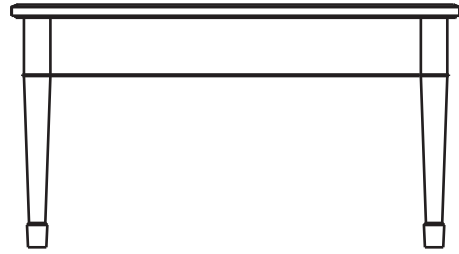
SUFFOLK 6-PERSON READING TABLE w/ LIGHT

L110", W48", H29.5"



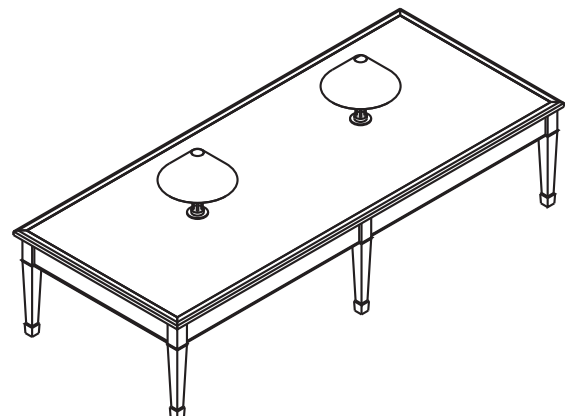
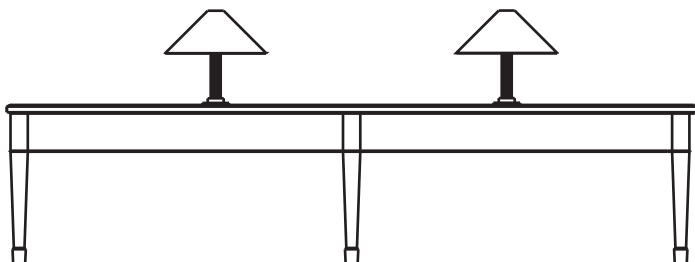
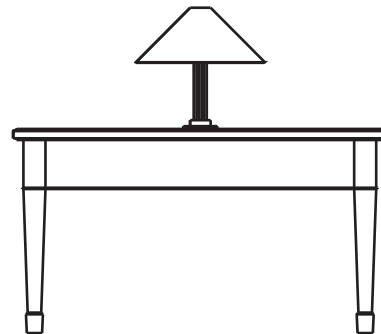
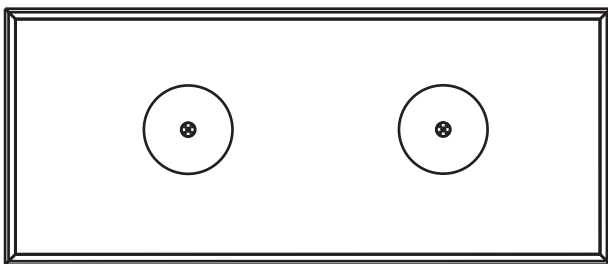
SUFFOLK 8-PERSON READING TABLE

L144", W48", H29.5"



SUFFOLK 8-PERSON READING TABLE w/ LIGHT

L144", W48", H29.5"



UNIVERSAL STUDY CARREL

Wood base frame with 1/2" nickel plated steel spacers supporting work surface
 Nickel plated top cap
 Solid wood edge with optional work surfaces of laminate, veneer, MDF, Marmoleum or Corian surface
 Wood species : Built in cherry or maple, solids and veneers
 Contact factory for pricing in oak or other species
 Dataport: DExbox (1)powerport of 110 volt outlet/ (1) RJ45 (data connector) and (1) RJ11 (voice connector) per workstation.
 Light: undercabinet task light, workstation corner
 Light: Brushed nickel finish with lacquer coat, one fluorescent tube
 Custom lighting and finishes available
 Electrical panel in carrel, contact factory for pricing and lead time.

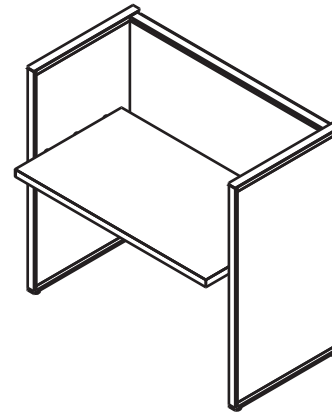
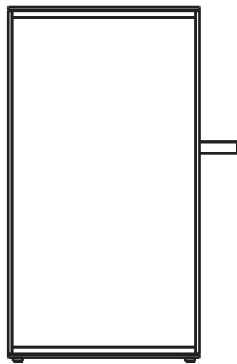
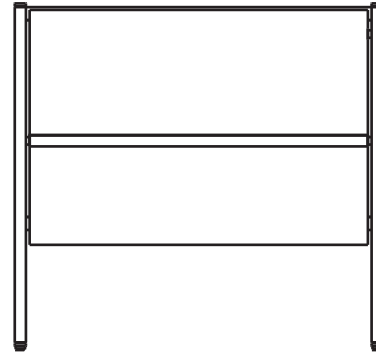
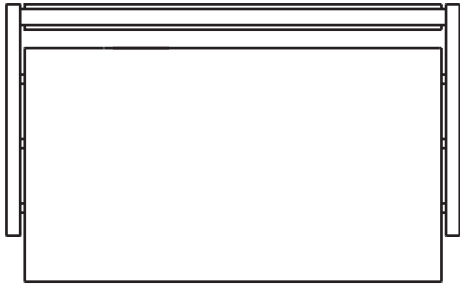
PRICING IS QUANTITY BASED	BASE PRICE				OPTIONS ADD TO BASE PRICE	
	LIST PRICE 1	LIST PRICE 2-5	LIST PRICE 6-15	LIST PRICE 15+	POWER/DATA DExbox LIST PRICE	MARMOLEUM WORK SURFACE LIST PRICE
Single Carrel (1 work station)	4,154	3,802	3,458	3,289	88 (1)	230
Side-by-Side Carrel (2 work stations)	6,923	6,342	5,768	5,477	176 (2)	460
Back-to-Back Carrel (2 work stations)	6,923	6,342	5,768	5,477	176 (2)	460
Quad Carrel (4 work stations)	11,536	10,574	9,613	9,136	352 (4)	920

Veneer, laminate or MDF work surface options available at standard base price

Above options must be added to base price if desired

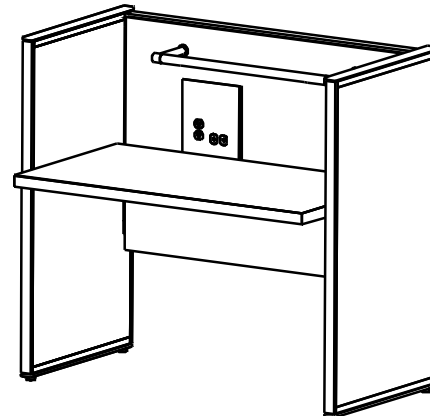
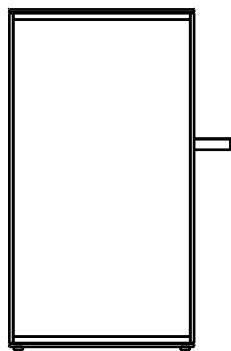
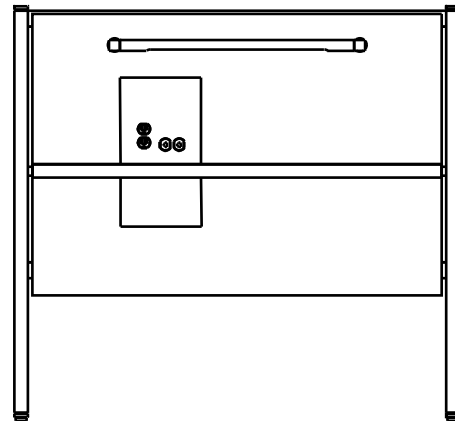
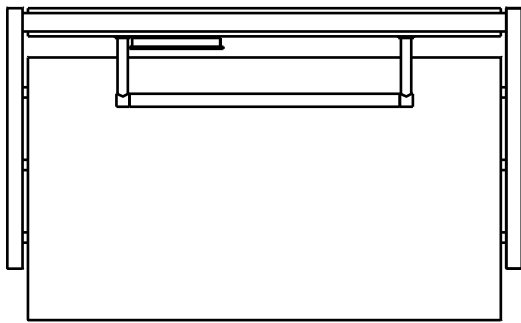
UNIVERSAL SINGLE CARREL

D30", W49.5", H46.75"
WORK SURFACE HEIGHT 29.5"



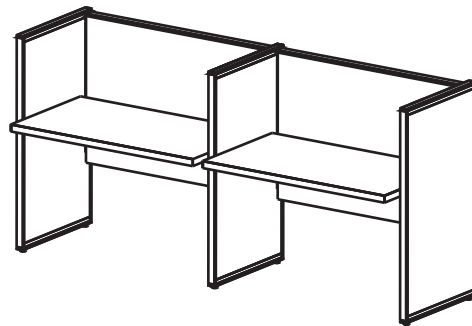
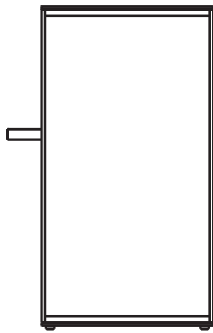
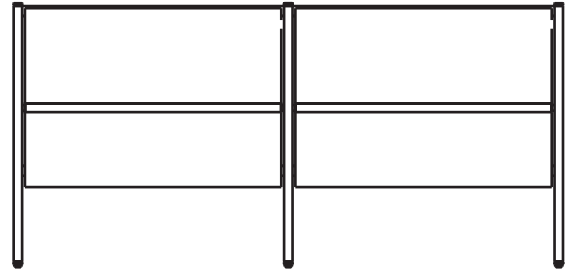
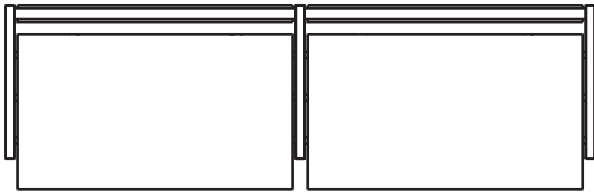
UNIVERSAL SINGLE CARREL W/LIGHT (lighting not included in price)

D30", W49.5", H46.75"
WORK SURFACE HEIGHT 29.5"



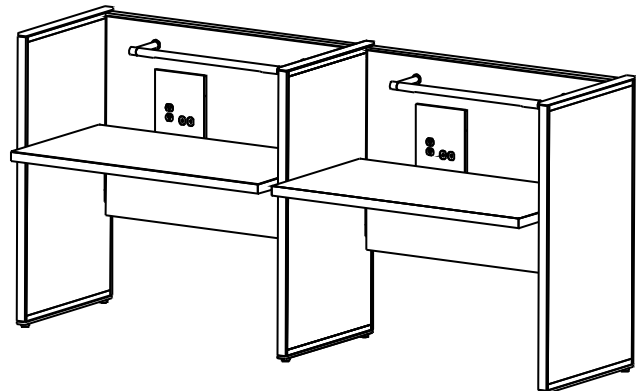
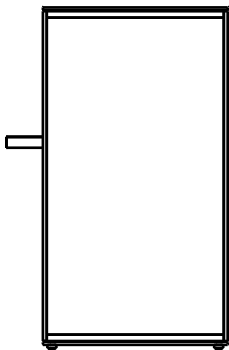
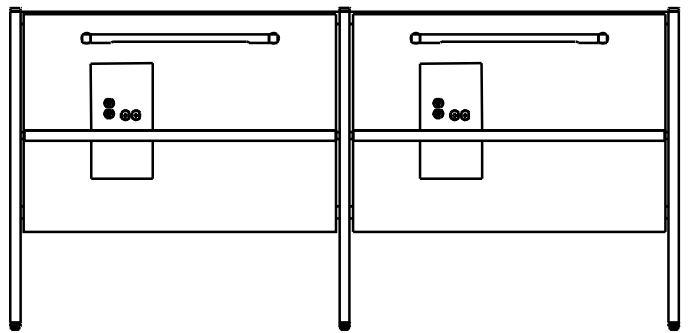
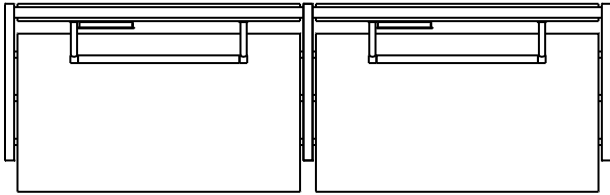
UNIVERSAL SIDE-BY-SIDE CARREL

D30", W96", H46.75"
WORK SURFACE HEIGHT 29.5"



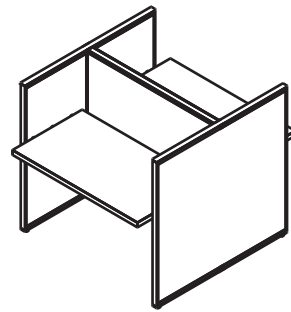
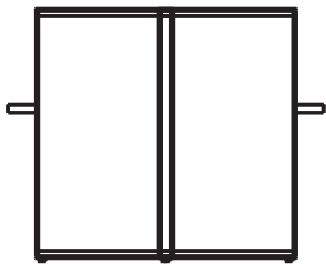
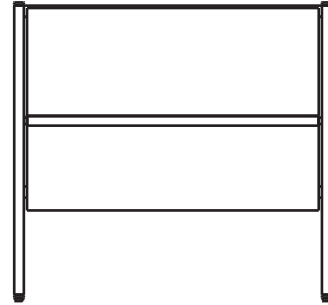
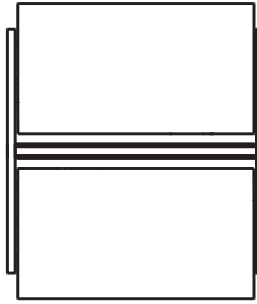
UNIVERSAL SIDE-BY-SIDE CARREL W/LIGHT (lighting not included in price)

D30", W96", H46.75"
WORK SURFACE HEIGHT 29.5"



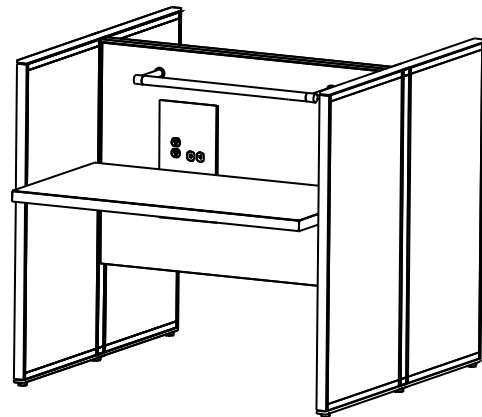
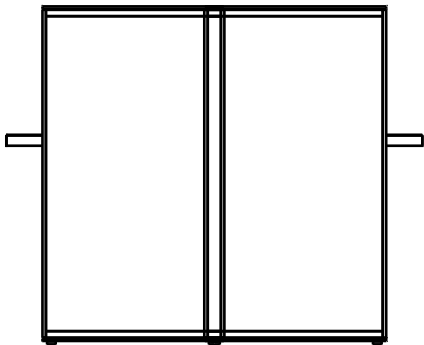
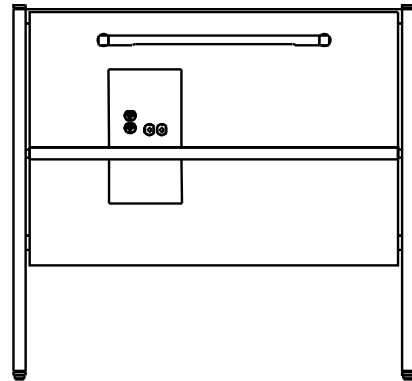
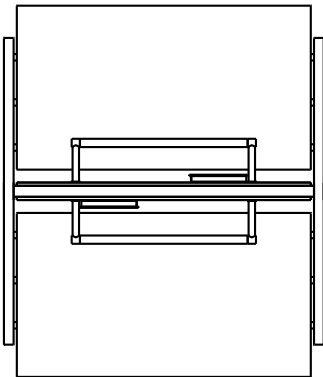
UNIVERSAL BACK-TO-BACK CARREL

D57.25", W49.5", H46.75"
WORK SURFACE HEIGHT 29.5"



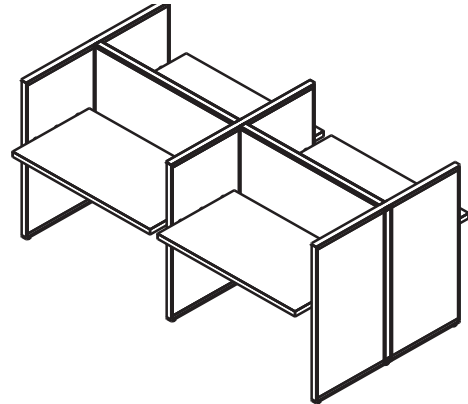
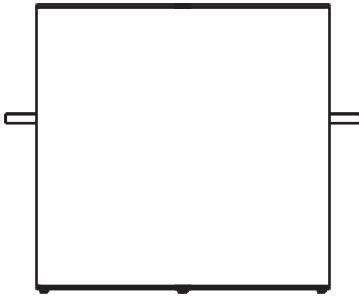
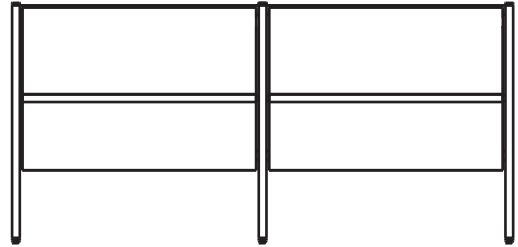
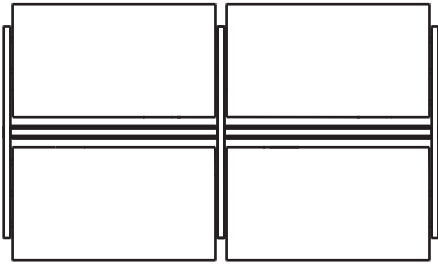
UNIVERSAL BACK-TO-BACK CARREL W/LIGHT (lighting not included in price)

D57.25", W49.5", H46.75"
WORK SURFACE HEIGHT 29.5"



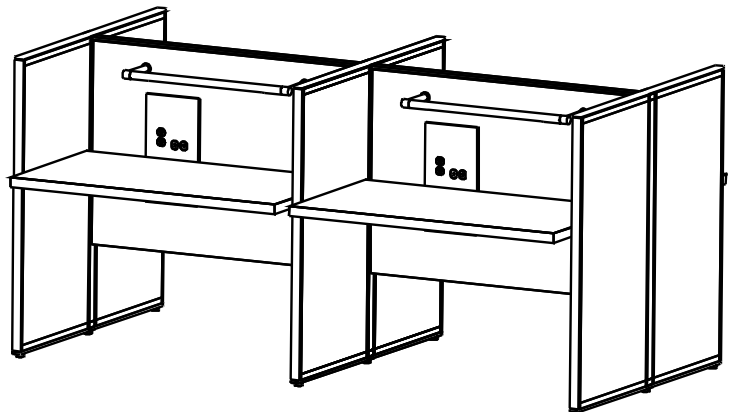
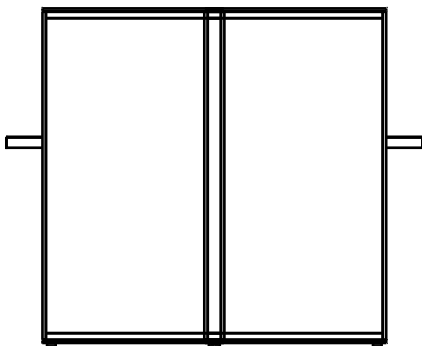
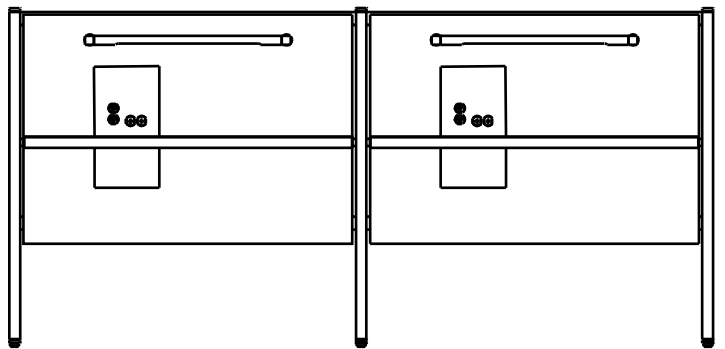
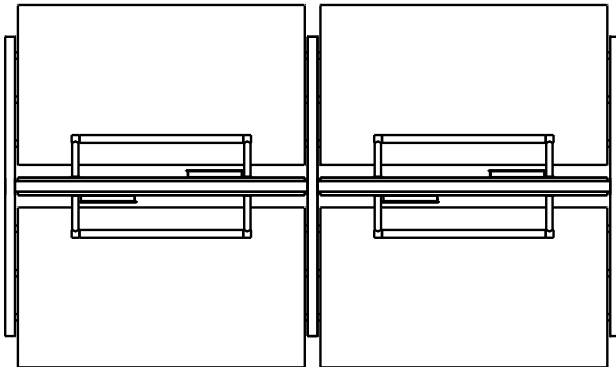
UNIVERSAL QUAD CARREL

D57.25", W96", H46.75"
WORK SURFACE HEIGHT 29.5"



UNIVERSAL QUAD CARREL W/LIGHT (lighting not included in price)

D57.25", W96", H46.75"
WORK SURFACE HEIGHT 29.5"



UNIVERSAL A & B STYLE READING TABLES

Wood base frame with 1/2" nickel plated steel spacers supporting work surface

Nickel plated steel end caps

Solid wood edge with optional work surfaces of laminate, veneer, MDF, Marmoleum, or Corian surface

Wood species : Built in cherry or maple, solids and veneers

Contact factory for pricing in oak or other species

Dataport: DExbox (1)powerport of 110 volt outlet/ (1) RJ45 (data connector) and (1) RJ11 (voice connector) at each end of the table, UL listed.

Light :Light: DE 7 lamp with media base 6.5"x6.5"x2"

(1) phone jacks (supplied wiring by owner), (1) 120 volt outlets.

Electronic ballast and switch to control lamp

Polished chrome with optional shades

Custom lighting and finishes available

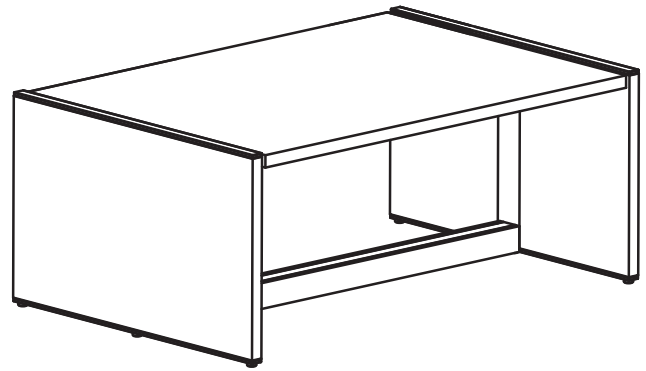
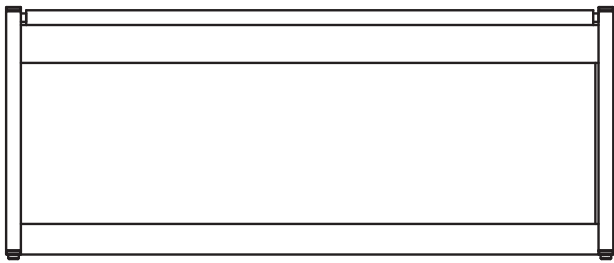
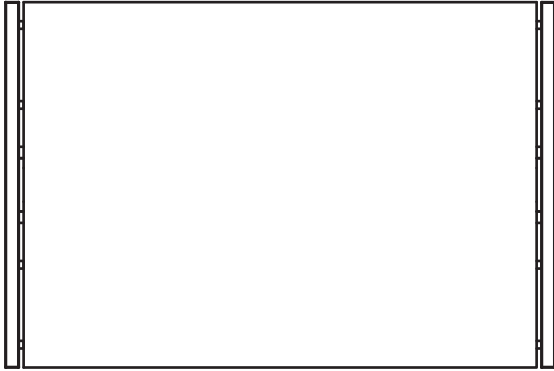
PRICING IS QUANTITY BASED	BASE PRICE				OPTIONS ADD TO BASE PRICE	
	LIST PRICE 1	LIST PRICE 2-5	LIST PRICE 6-15	LIST PRICE 15+	POWER/DATA DExbox LIST PRICE	MARMOLEUM WORK SURFACE LIST PRICE
Reading Table (A STYLE) (4 person)	4,825	4,426	4,026	3,820	88 (1)	406
Reading Table (A STYLE w/ DE 7 Lighting) (4 person)	4,825	4,426	4,026	3,820	88 (1)	406
Reading Table (A STYLE) (6 person)	6,092	5,532	5,030	4,777	176 (2)	502
Reading Table (A STYLE w/DE 7 Light) (6 person)	6,092	5,532	5,030	4,777	176 (2)	502
Reading Table (A STYLE) (8 person)	8,023	7,350	6,693	6,355	176 (2)	671
Reading Table (A STYLE w/DE 7 Light) (8 person)	8,023	7,350	6,693	6,355	176 (2)	671
Reading Table (B STYLE) (4 person)	4,825	4,426	4,026	3,820	88 (1)	406
Reading Table (B STYLE w/DE 7 Light) (4 person)	4,825	4,426	4,026	3,820	88 (1)	406
Reading Table (B STYLE) (6 person)	6,092	5,532	5,030	4,777	176 (2)	502
Reading Table (B STYLE w/DE 7 Light) (6 person)	6,092	5,532	5,030	4,777	176 (2)	502
Reading Table (B STYLE) (8 person)	8,023	7,350	6,693	6,355	352 (4)	671
Reading Table (B STYLE w/DE 7 Light) (8 person)	8,023	7,350	6,693	6,355	352 (4)	671

Veneer, laminate or MDF work surface options available at standard base price

Above options must be added to base price if desired

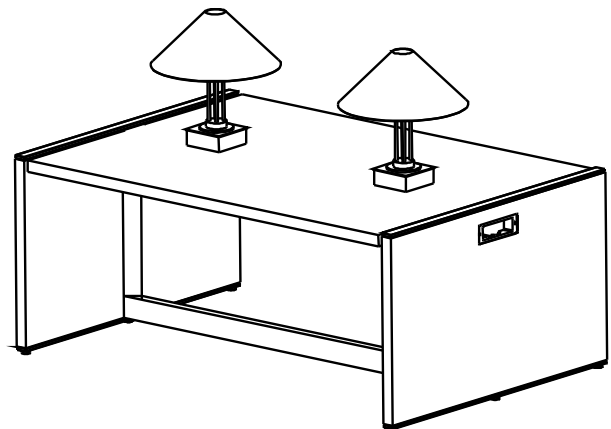
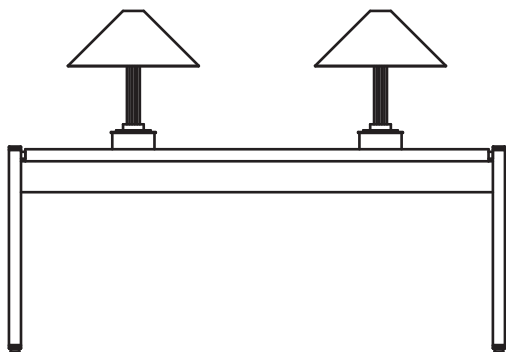
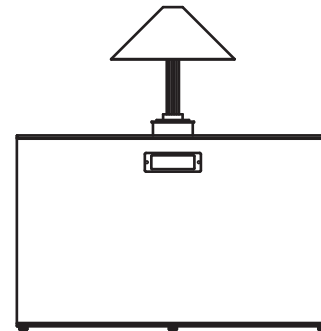
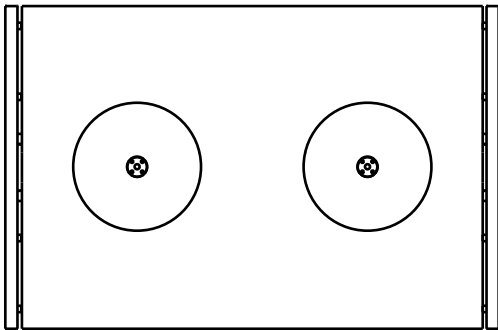
UNIVERSAL A STYLE 4-PERSON READING TABLE

L72", W48", H29.5"



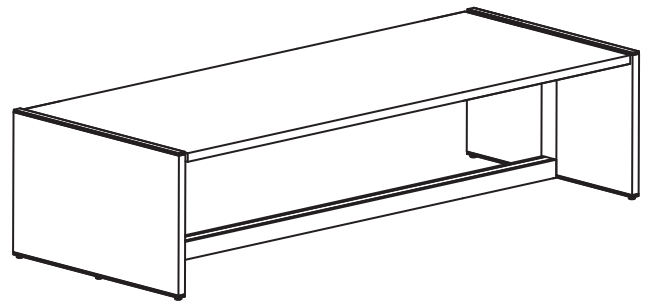
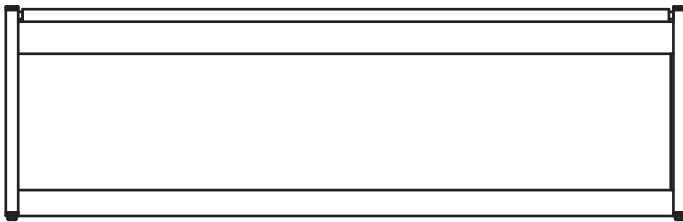
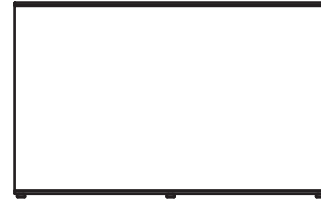
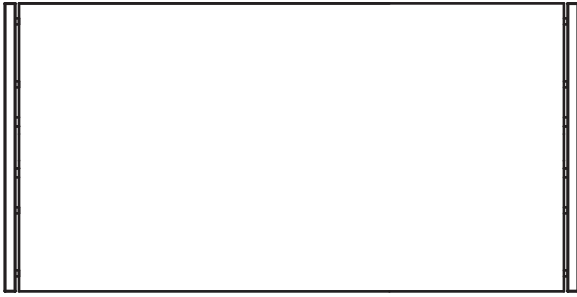
UNIVERSAL A STYLE DE 7 4-PERSON READING TABLE (lighting not included in price)

L72", W48", H29.5"



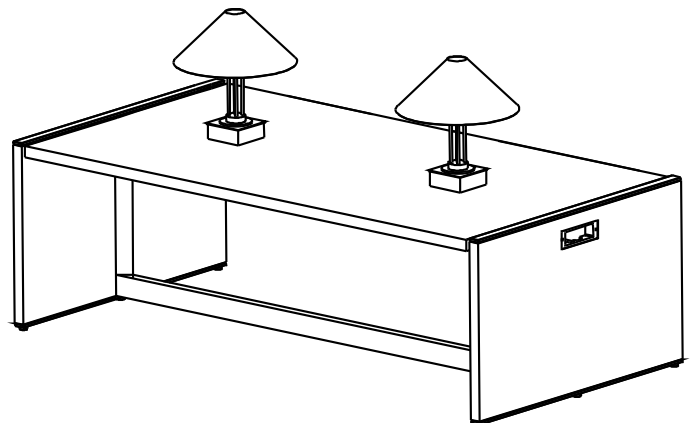
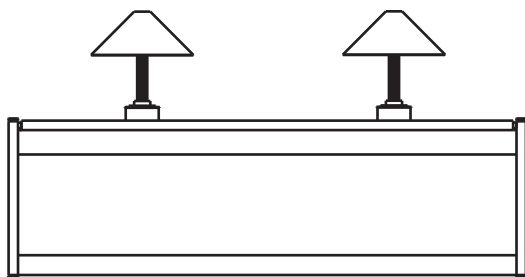
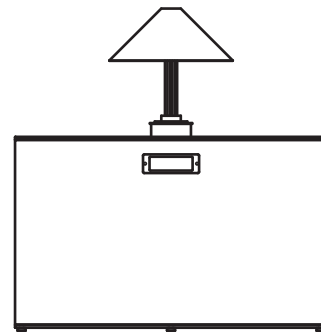
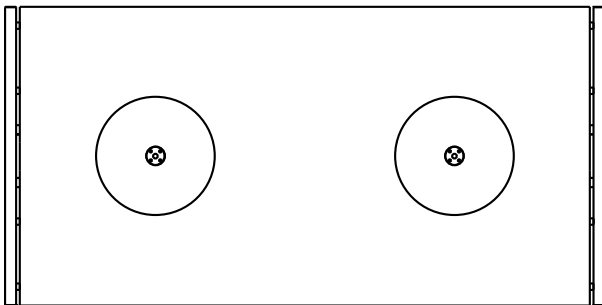
UNIVERSAL A STYLE 6-PERSON READING TABLE

L108", W48", H29.5"



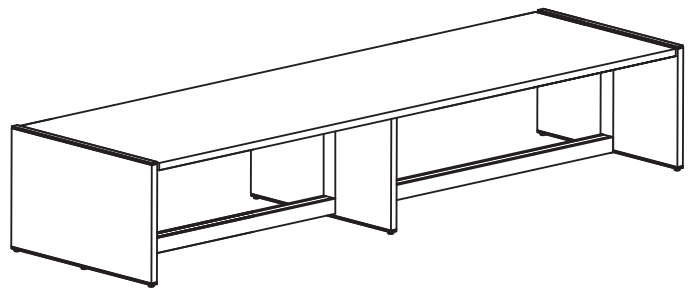
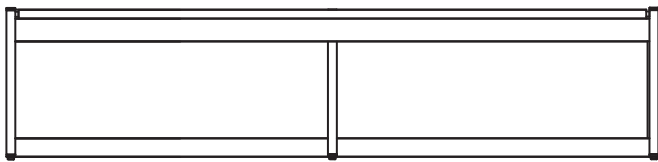
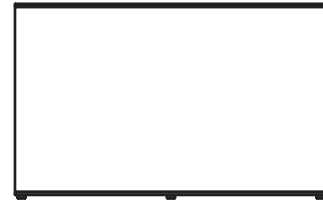
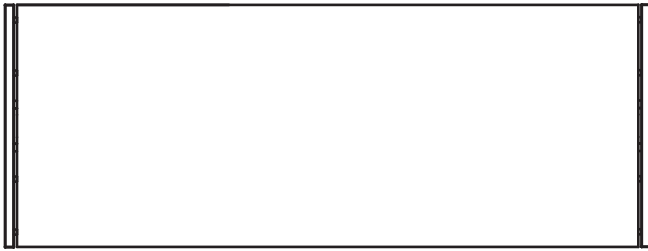
UNIVERSAL A STYLE DE 7 6-PERSON READING TABLE (lighting not included in price)

L108", W48", H29.5"



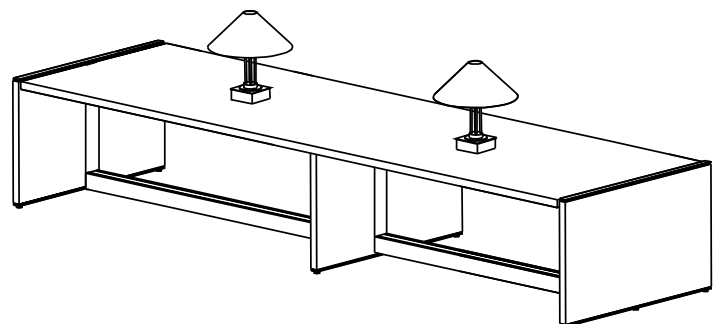
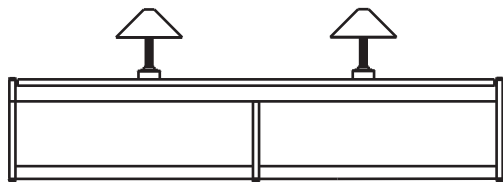
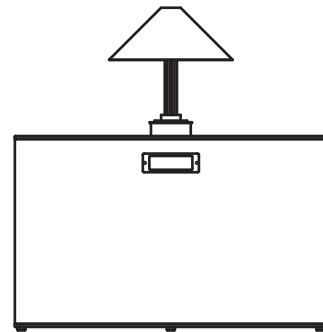
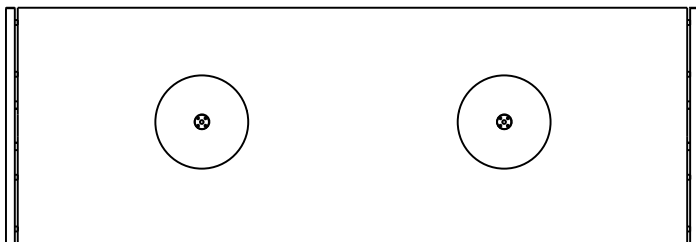
UNIVERSAL A STYLE 8-PERSON READING TABLE

L142", W48", H29.5"



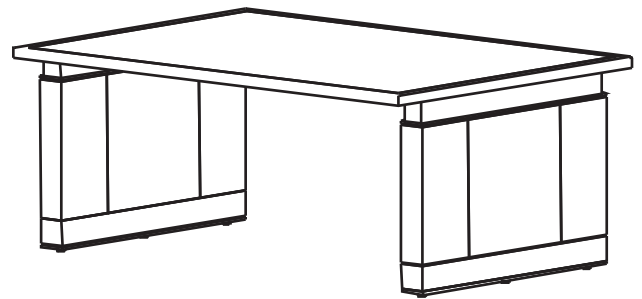
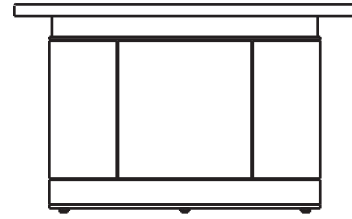
UNIVERSAL A STYLE DE 7 8-PERSON READING TABLE (lighting not included in price)

L142", W48", H29.5"



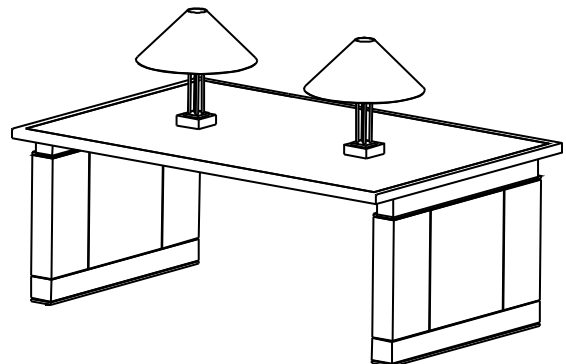
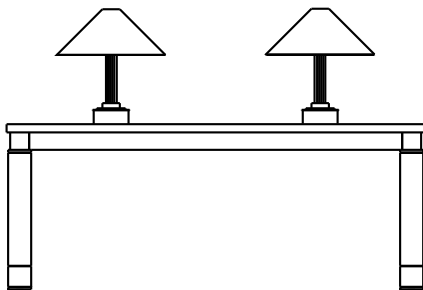
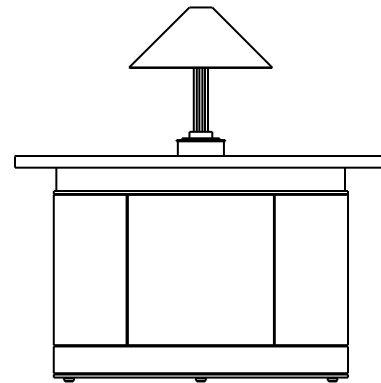
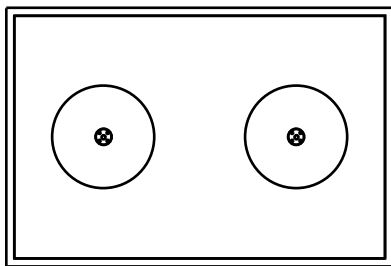
UNIVERSAL B STYLE 4-PERSON READING TABLE

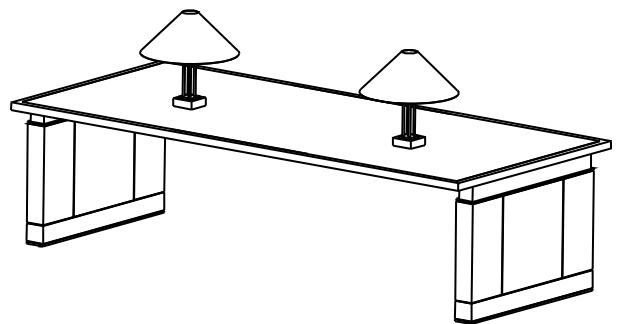
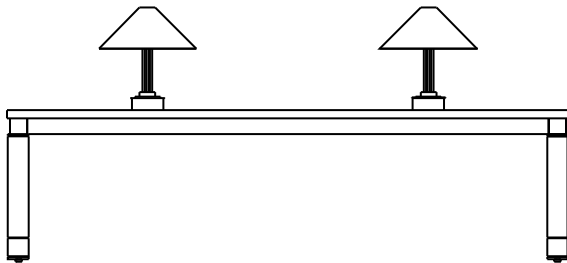
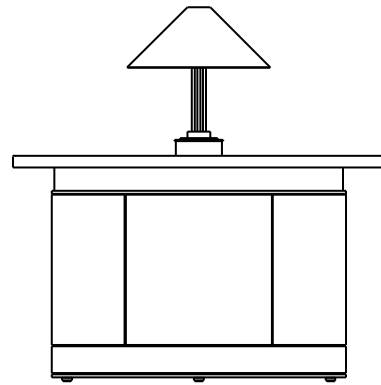
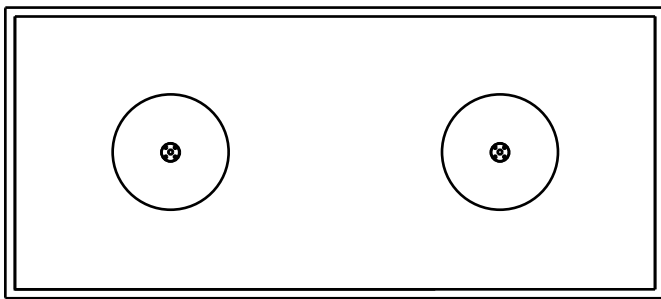
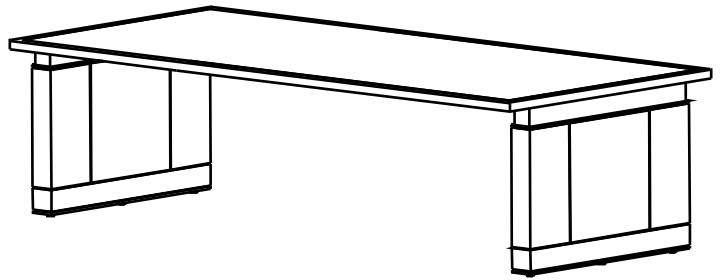
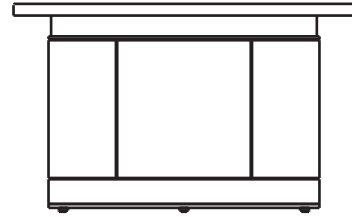
L72", W48", H29.5"



UNIVERSAL B STYLE 4-PERSON READING TABLE WITH DE 7 LIGHTING (lighting not included in price)

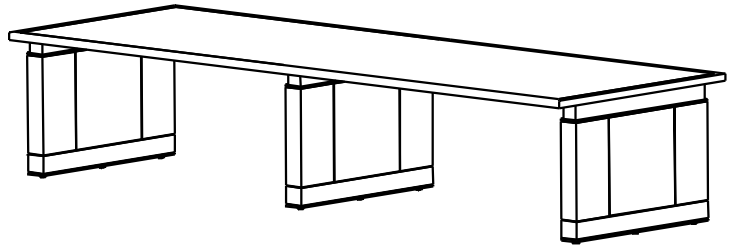
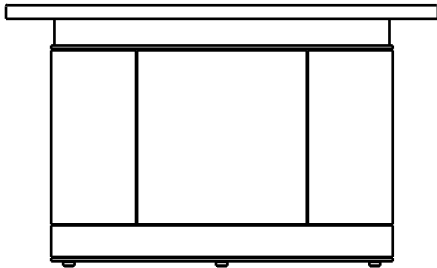
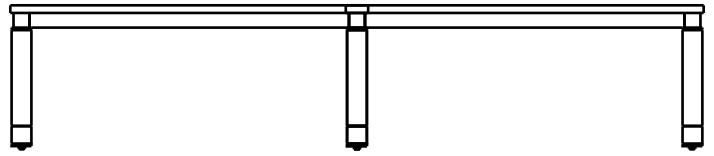
L72", W48", H29.5"





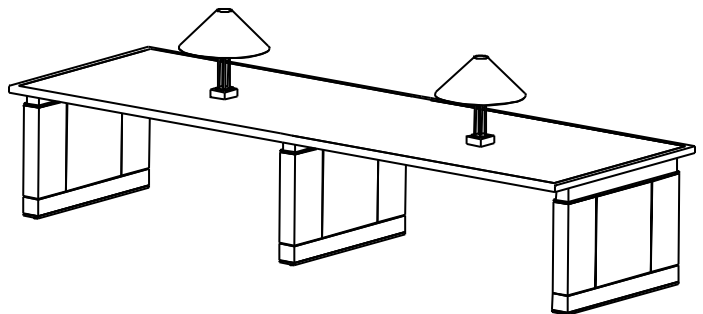
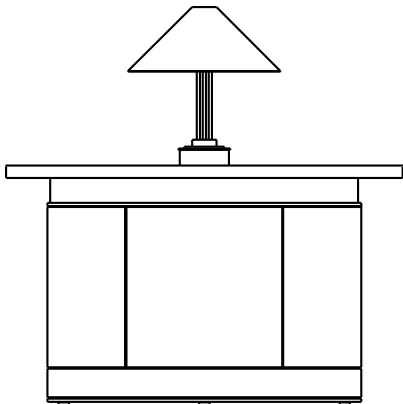
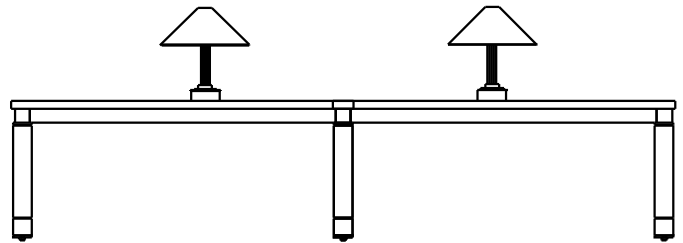
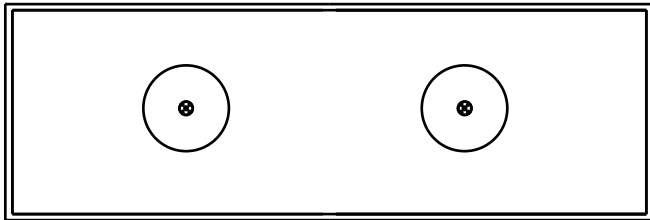
UNIVERSAL B STYLE 8-PERSON READING TABLE

L142", W48", H29.5"



UNIVERSAL B STYLE 8-PERSON READING TABLE WITH DE 7 LIGHTING (lighting not included in price)

L142", W48", H29.5"



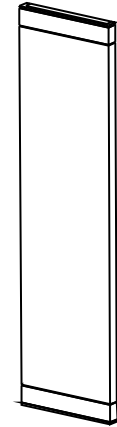
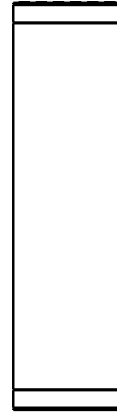
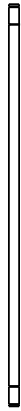
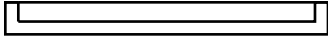
UNIVERSAL STYLE A END PANEL

Single 13"
Double 26"

Solid wood frame with veneer inset
Wood species: Cherry or Maple
Options: Slat wall, custom signage

PRICING IS QUANTITY BASED		BASE PRICE				OPTIONS ADD TO BASE PRICE		
		LIST PRICE 1	LIST PRICE 2-5	LIST PRICE 6-15	LIST PRICE 15+	LIGHTING LIST PRICE	POWER/DATA DEbox LIST PRICE	MARMOLEUM WORK SURFACE LIST PRICE
HEIGHT								
End Panel	72"	1,435	1,292	1,220	1,148	N/A	N/A	N/A
(single)	66"	1,373	1,235	1,167	1,098			
	42"	1,304	1,174	1,110	1,043			
	38"	1,196	1,078	1,018	958			
End Panel	88"	1,651	1,486	1,403	1,320	N/A	N/A	N/A
(double)	72"	1,531	1,378	1,302	1,225			
	66"	1,526	1,374	1,298	1,221			
	42"	1,463	1,317	1,244	1,171			
	38"	1,418	1,277	1,206	1,134			
Canopy Top W26"		108	97	92	87	N/A	N/A	N/A
(per lineal foot)								
Canopy Top W13"		86	77	73	69	N/A	N/A	N/A
(per lineal foot)								

UNIVERSAL A STYLE END PANEL



UNIVERSAL STYLE B END PANEL

Single 13"
Double 26"

Solid wood frame with veneer inset
Wood species: Cherry or Maple
Options: Slat wall, custom signage

PRICING IS QUANTITY BASED		BASE PRICE				OPTIONS ADD TO BASE PRICE		
		LIST PRICE 1	LIST PRICE 2-5	LIST PRICE 6-15	LIST PRICE 15+	LIGHTING LIST PRICE	POWER/DATA DEbox LIST PRICE	MARMOLEUM WORK SURFACE LIST PRICE
HEIGHT								
End Panel	72"	1,435	1,292	1,220	1,148	N/A	N/A	N/A
(single)	66"	1,373	1,235	1,167	1,098			
	42"	1,304	1,174	1,110	1,043			
	38"	1,196	1,078	1,018	958			
End Panel	88"	1,651	1,486	1,403	1,320	N/A	N/A	N/A
(double)	72"	1,531	1,378	1,302	1,225			
	66"	1,526	1,374	1,297	1,221			
	42"	1,463	1,317	1,244	1,171			
	38"	1,418	1,277	1,206	1,134			
Canopy Top W26"		108	97	92	87	N/A	N/A	N/A
(per lineal foot)								
Canopy Top W13"		86	77	73	69	N/A	N/A	N/A
(per lineal foot)								

UNIVERSAL B STYLE END PANEL

